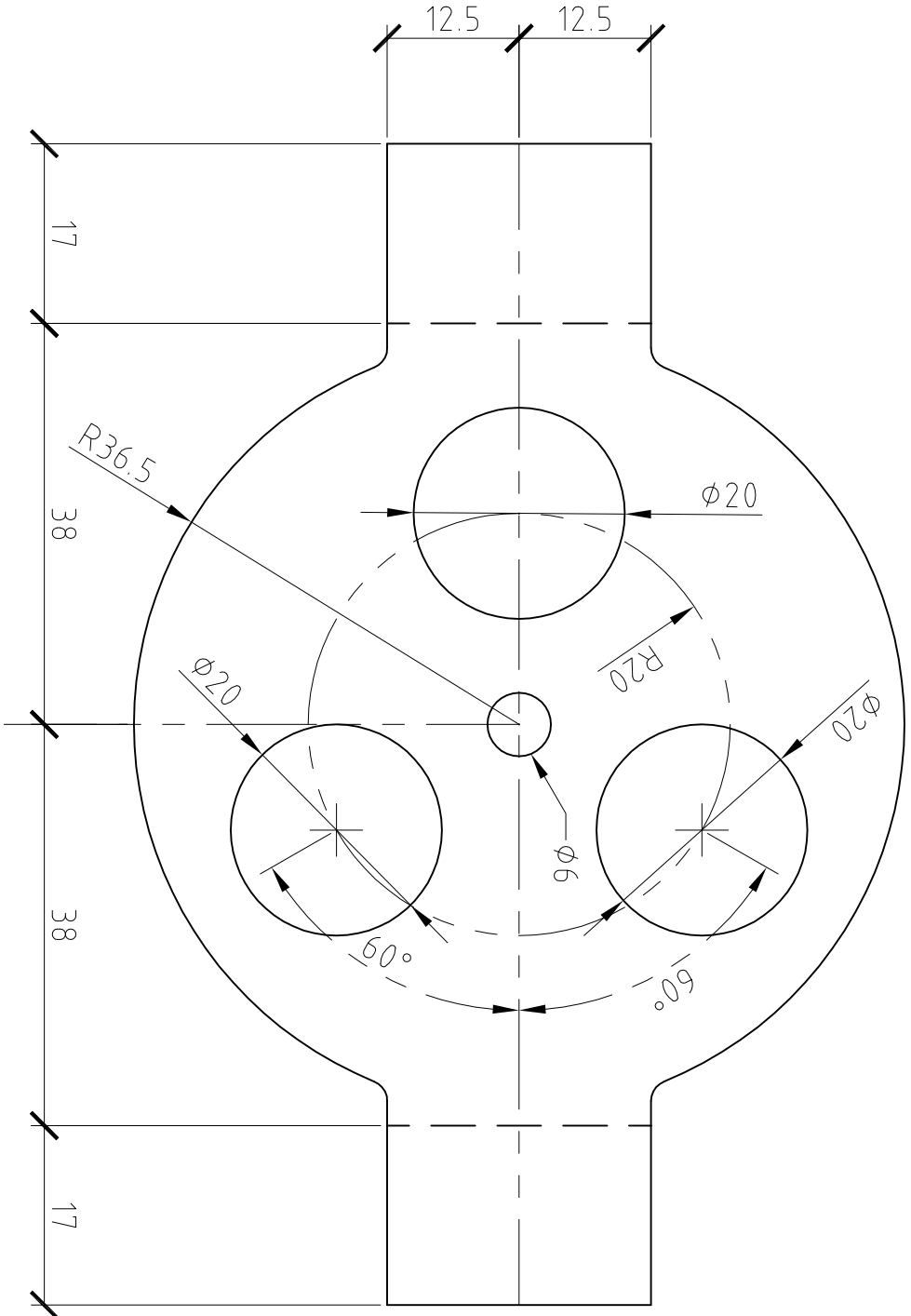


All dimensions in mm

DO NOT SCALE



Project
Cold Smoker



Client
Instructables

Title
Vent

Original Scale	Drawn	Checked	Authorised
2:1	JPG	JPG	JPG
Drawing Number	Date 18/03/20	Date 18/03/20	Date 18/03/20
Cold Smoker Vent			Rev
			A