

4

3

2

1

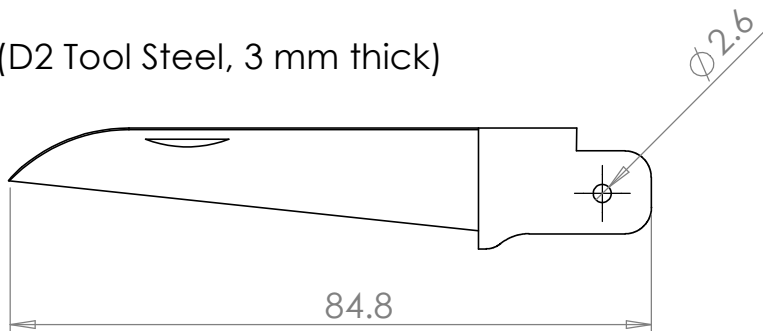
All dimensions in mm

Scale 1:1

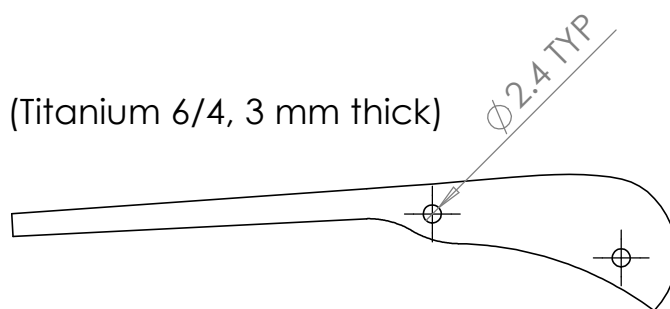
Pocket Knife Templates

Mike Godfrey
Hazel Mitchell

Blade (D2 Tool Steel, 3 mm thick)

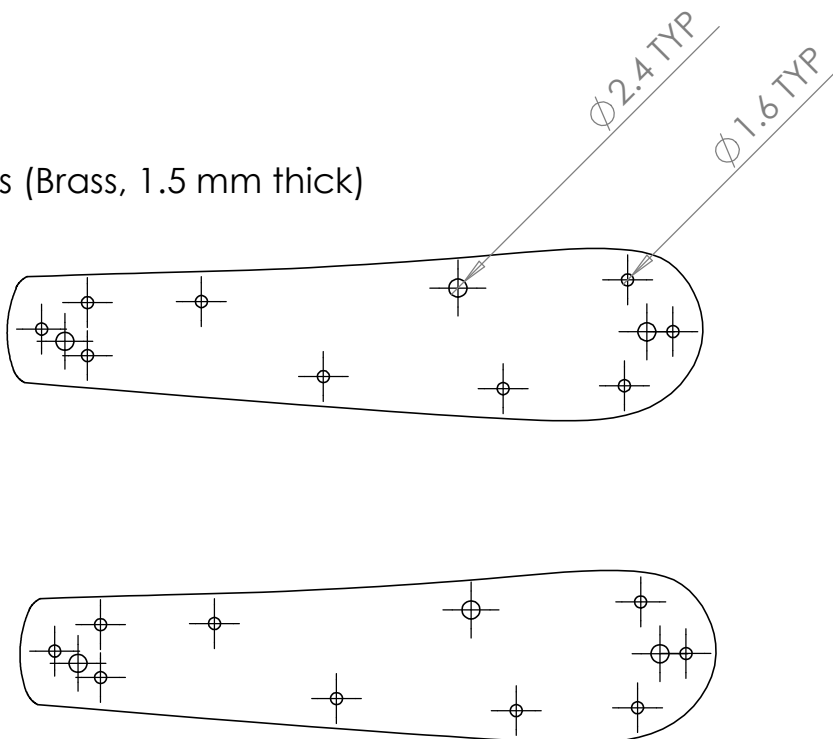


Spring (Titanium 6/4, 3 mm thick)



N.B. Spring is in unloaded position. Will flex when installed.

Liners (Brass, 1.5 mm thick)



Please note: These templates are for the final size.
When cutting, cut oversize, especially for the spring.

4

3

2

1