

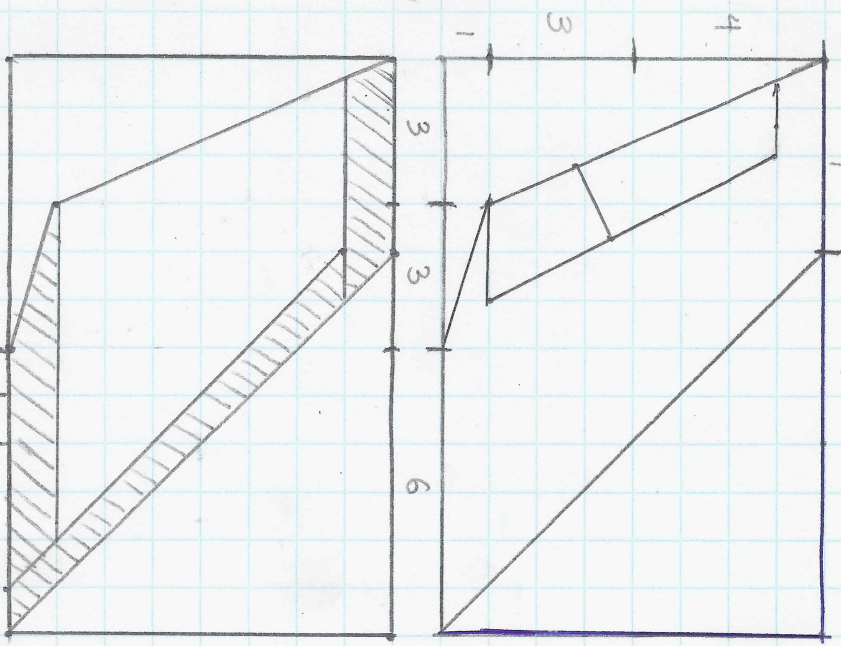
1 square \approx 1cm on model

Fin template
12 X 8 squares

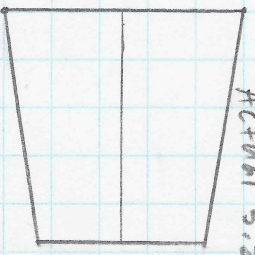
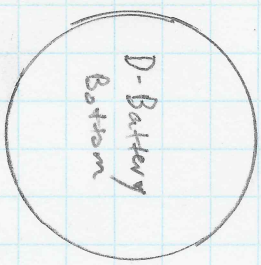
Cardboard outside design

Inside frame of 1cm wood

Connector to main body



Actual size



Nozzle design

Actual size

Actual size

Asternoi

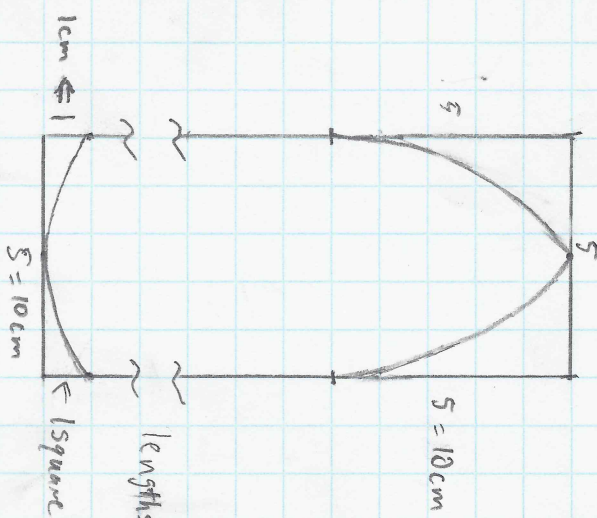
\approx 10 pieces w/ D-cells biggest
Smaller until C-cell size

1 square \approx 2cm on model

Main body template

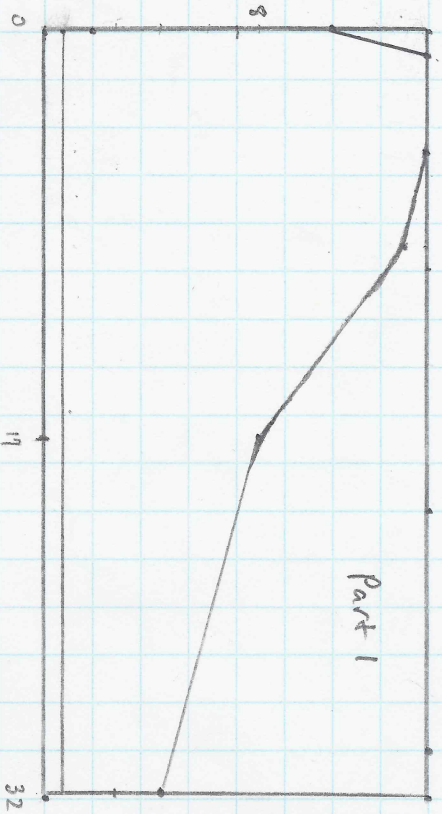
lengths can be added for layered effect

1 square = 1cm for bottom sides



Wing Design w/o bottom

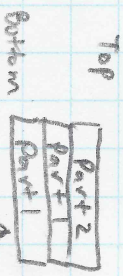
wing = 3 parts total



1 square \approx 2cm

* Doesn't include bottom

Part 2



Bottom part is smaller version of part 1 w/ appx 1cm shrink

* inaccurate*

