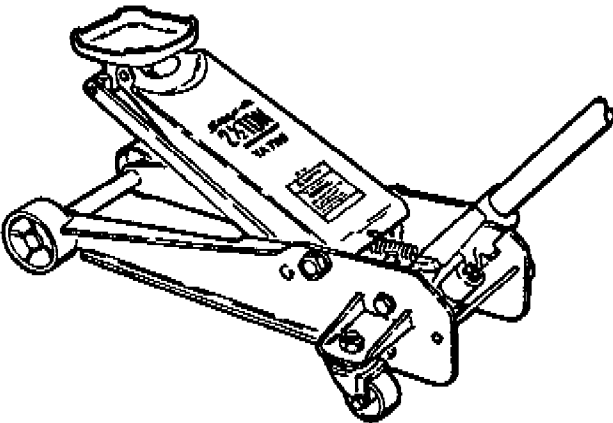




Model No. YA700
HYDRAULIC SERVICE JACK
Series "A"

OWNER/OPERATOR MANUAL



SPECIFICATIONS

Rated Load Capacity	2 1/2 tons
Low Pick-up Height	4 inches
High Lifting Point	23 inches
Lift Cap (Square)	5 3/4 inches
Handle Length	50 inches
Front Wheel Diameter	3 3/4 inches
Caster Wheel Diameter	2 1/2 inches
Weight	110 lbs.

DESCRIPTION

Model YA700 is a manually operated jack designed for automotive, construction, industrial, and agricultural lifting jobs. If used to lift a vehicle/load, the vehicle/load must be supported by vehicle stands or other appropriate support.

OWNER/OPERATOR RESPONSIBILITY

It is the owner's/operator's responsibility to properly use and maintain this equipment.

The instructions and warnings contained in this manual shall be read and understood by the owner/operator prior to operating this equipment.

If an owner/operator does not understand English, the contents of this manual shall be explained in the owner/operator native language to assure the owner/operator comprehends.

It is the owner's/operator's responsibility

to maintain the legibility of all warning and instruction labels.

The owner/operator shall retain this manual for future reference to important warnings, operating and maintenance instructions.

ASSEMBLY

The jack is completely assembled except for the handle assembly.

Assemble jack handle to jack frame as follows:

- A. Apply a light coat of chassis grease to jack handle socket (239310).
- B. Loosen hex head screw (234956).
- C. Insert jack handle (234968) into jack handle socket (239310).
- D. Tighten hex head screw (234956).

WARNING

FAILURE TO HEED THE FOLLOWING INSTRUCTIONS MAY RESULT IN PERSONAL INJURY AND/OR PROPERTY DAMAGE.

- Do not exceed rated capacity.
- Use only as a lifting device. Do not use to support a load or vehicle.
- Use jack on hard level surfaces.
- Center load on lift cap.
- Use vehicle stands or appropriate support after lifting a vehicle/load.
- Lift only at locations specified by the manufacturer.
- Do not crawl under a vehicle/load when placing stands or support.
- Lower a vehicle/load slowly.
- Do not use to dolly a vehicle.



SNAP-ON TOOLS CORPORATION, KENOSHA, WI 53141-1410

Copyright 1992
Printed in U.S.A.

21S0YA700000A0

⚠ WARNING

FOR YOUR SAFETY



USE VEHICLE STANDS OR OTHER APPROPRIATE SUPPORTS TO SUPPORT THE VEHICLE/LOAD BEFORE GETTING UNDER IT.

OPERATION

BEFORE USING JACK

Prior to operation a visual jack inspection shall be made. Check for bent or worn parts, hydraulic leaks, damaged, loose or missing parts.

Check jack operation by closing release valve and pumping jack handle. If jack responds immediately to pump action, it is ready to use. If not, refer to TROUBLESHOOTING and perform PURGING AIR FROM JACK procedure.

jack is damaged, badly worn, or operates abnormally it shall be removed from service. Contact a factory authorized service center for repair.

If the jack has been subjected to an abnormal load or shock, the jack shall be inspected by a factory authorized service center.

An annual jack inspection is recommended to be performed by a factory authorized service center.

USING JACK

- A. If raising a vehicle, set the parking brakes and block the vehicle wheels.
- B. Using jack handle, firmly close release valve by turning clockwise.
- C. Position jack under desired vehicle/load lifting point specified by the manufacturer.

- D. Pump jack handle and raise the vehicle/load to desired height. Make sure lift cap lugs and cup grip vehicle/load points and jack wheels are free to roll while lifting. Reposition jack if vehicle/load pulls lift arm sideways.
- E. Install vehicle stands or other appropriate support under the vehicle/load. **DO NOT CRAWL UNDER VEHICLE/LOAD.**
- F. Carefully lower vehicle/load on to vehicle stands or support.

REMOVING JACK

- A. Using jack handle, make sure release valve is closed by turning clockwise.
- B. Pump jack handle and raise vehicle/load just enough to clear vehicle stands or support. Jack wheels must be free to roll while lifting.
- C. Remove vehicle stands or support from under vehicle/load. **DO NOT CRAWL UNDER VEHICLE/LOAD.**
- D. Using jack handle, slowly open release valve by turning counterclockwise and slowly lower vehicle/load.
- E. When vehicle/load is fully lowered, remove jack from under vehicle/load.

MAINTENANCE

⚠ CAUTION

BRAKE OR TRANSMISSION FLUIDS WILL DAMAGE EQUIPMENT SEALS.

CHECKING HYDRAULIC OIL LEVEL

- A. Open release valve and allow jack to fully retract.
- B. Remove filler plug.
- C. Fill reservoir to bottom of filler plug hole with clean hydraulic jack oil. Do not overfill.
- D. Reinstall filler plug. Hand tighten only.

LUBRICATION

All jack linkages and moving joints require frequent lubrication. Any chassis grease and motor oil can be used. Lubricate jack as follows:

- A. Clean jack as required before applying lubricant.
- B. Remove handle and apply grease to jack handle socket opening.
- C. Use a grease gun to grease the lift arm fulcrum pin through the grease fitting.
- D. Apply oil to the pump roller and handle socket side plate pivot pins.
- E. Apply oil to all lift arm linkages, universal joint, front wheels and rear casters bearings.

TROUBLESHOOTING

If the following procedures do not correct the problem, contact a factory authorized service center. When submitting a jack or equipment to be repaired, be sure to state the nature of the problem.

PURGING AIR FROM JACK

As with any hydraulic unit, the jack may occasionally become air bound due to being tipped over during shipment or handling. To purge air from jack

hydraulic circuit, perform the following procedure:

- A. Open release valve one full turn counterclockwise.
- B. Pump jack handle at least 6 full strokes to purge air from the pump.
- C. Close the release valve.
- D. Pump jack handle until jack is fully extended.
- E. Continue to pump slowly several times to purge air from the ram.
- F. Open release valve and allow jack to retract fully.
- G. Close the release valve.
- H. Check the pump action. If jack does not respond, repeat the above procedures several times until air is purged from the jack.

COMMON PROBLEMS

JACK WILL NOT LIFT TO FULL HEIGHT

- Oil level low. Perform **CHECKING HYDRUALIC OIL LEVEL** procedure.

JACK WILL NOT HOLD LOAD

- Release valve not closed or not sealing. Repair may be required.
- Dirt in hydraulic oil or pump ball valves not seating. Flush hydraulic circuit by closing release valve and pumping jack to maximum height. Open release valve and quickly lower jack by manually pushing on lift cap. Repeat if necessary. If this procedure does not correct the problem, internal repairs are required.

LIFTING ARM WILL NOT LOWER PROPERLY

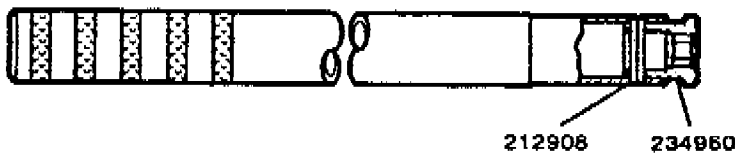
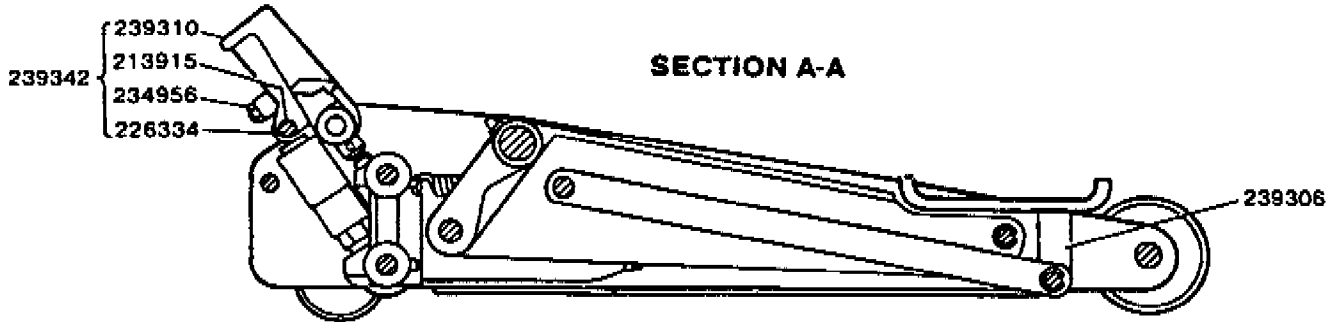
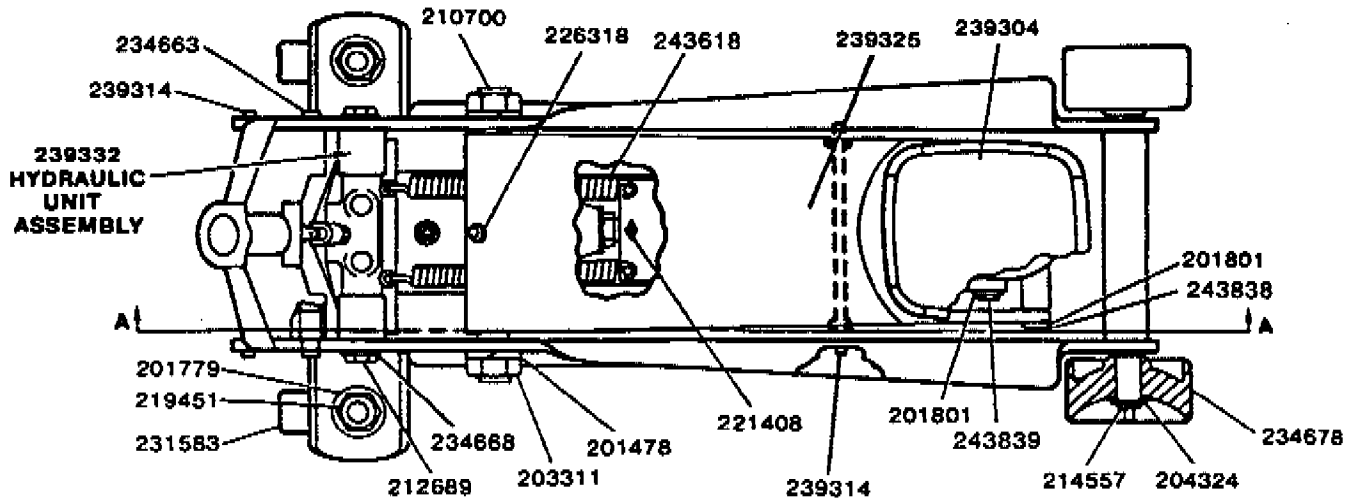
- Broken return spring. Replacement required.
- Lift arm bearings binding. Perform **LUBRICATION** procedure and lubricate lift arms.
- Hydraulic cylinder ram binding. Repair required.
- Lifting arms, spindles, pins bent or worn. Repair required.

JACK FEELS SPONGY WHEN LIFTING LOAD

- Air in hydraulic system. Perform **PURGING AIR FROM JACK** procedure.

REPAIR

Repair is limited to replacement of listed service parts. Special procedures and tools are required. If the jack requires repair, contact a factory authorized service center.

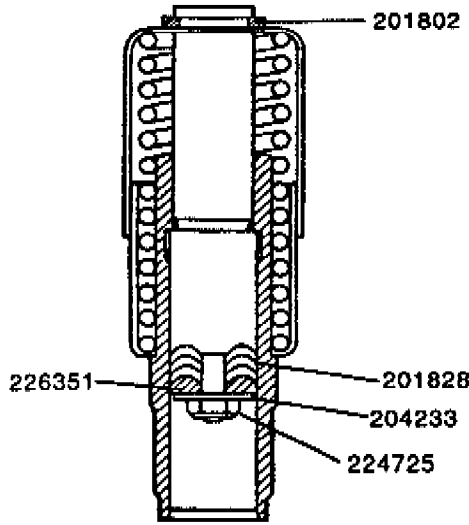


234968
HANDLE ASSEMBLY

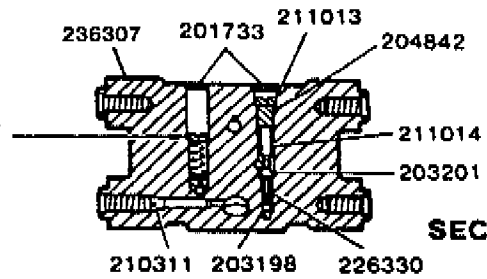
Label Kit	Seal Repair Kit
239407	240524

DO NOT ADJUST

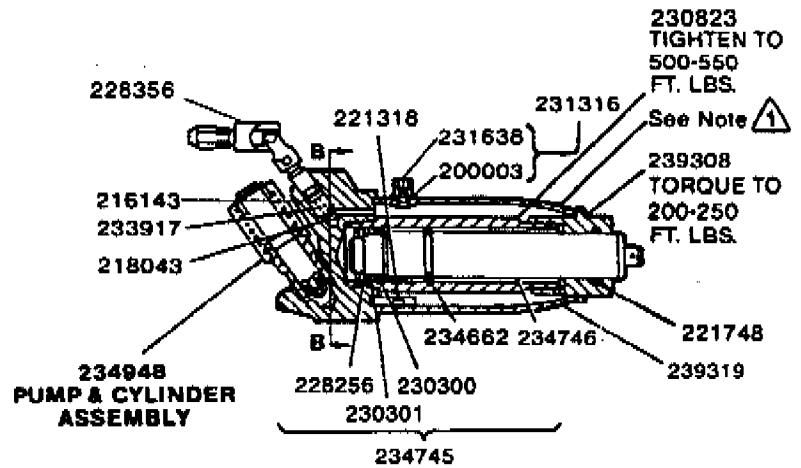
Safety valve is factory set. If adjustment or repair is required, return jack to nearest Authorized Warranty and Service Center.



**234948
PUMP & CYLINDER
ASSEMBLY AND
SERVICEABLE COMPONENTS**



**239332
HYDRAULIC UNIT
ASSEMBLY**



NOTE Apply light coating of Locktite Gasket Eliminator* 515 or equivalent to ends of tank before assembling tank nut.

Part	Qty.	Description	Part	Qty.	Description	Part	Qty.	Description
200003	1	Gasket	218043	1	Valve	234663	2	Pin
201478	2	Lockwasher	219451	2	Nut	234668	4	Washer
201733	2	Expansion plug	221318	1	Suction screen	234678	2	Front wheel
201779	2	Washer	221408	1	Cotter pin	234745	1	Ram assembly
201801	2	Retaining ring	* 221748	1	Quad ring	234746	1	Ram
201802	1	Retaining ring	224725	1	Nut	234948	1	Pump & cylinder ass'y.
*201828	3	V-packing	226318	1	Grease fitting	234956	1	Hex head screw
*203198	1	Ball	226330	1	Suction spacer	234960	1	Lower end
*203201	1	Ball	226334	1	Pump roller	236307	1	Unit block
203311	2	Nut	* 226351	1	Rubber washer	239304	1	Lift cap
204233	1	Washer	* 228256	1	U-cup packing	239306	1	Lift cap housing
204324	2	Washer	228356	1	Release stem ass'y.	239308	1	Tank nut
*204842	1	Gasket	230300	1	Back-up washer	239310	1	Handle socket
210311	1	Pipe plug	230301	1	Heel plate	239314	2	Shield bar
210700	1	Fulcrum pin	230312	2	Spring	239319	1	Oil tank
211013	1	Pressure plug	230823	1	Cylinder	239325	1	Bell crank assembly
211014	1	Discharge spacer	231316	1	Plug & gasket ass'y.	239332	1	Hydraulic unit ass'y.
212689	4	Bolt	231583	2	Rear caster	239342	1	Handle socket ass'y.
212908	1	Groove pin	231638	1	Filler plug & vent ass'y.	243618	2	Spring
213915	1	Pin	233917	1	Spring	243838	1	Pin
214557	2	Retaining ring	234662	1	Snap ring	243839	1	Pin
216143	1	O-ring						

* Included in 240524 Seal Repair Kit.