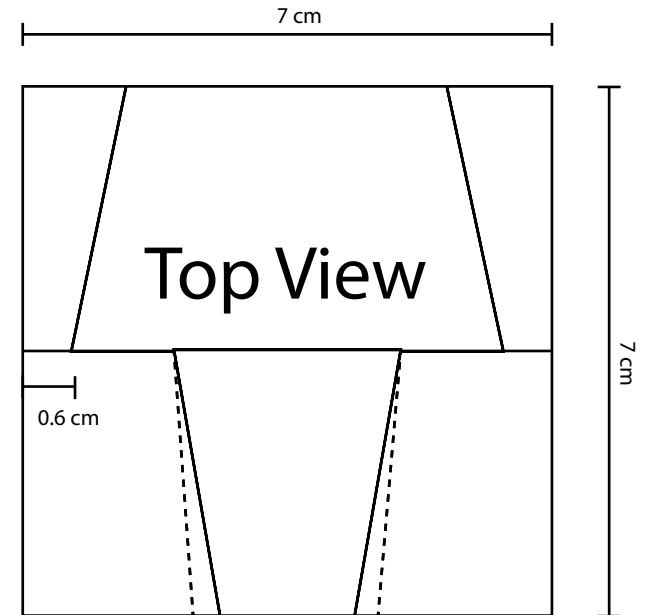
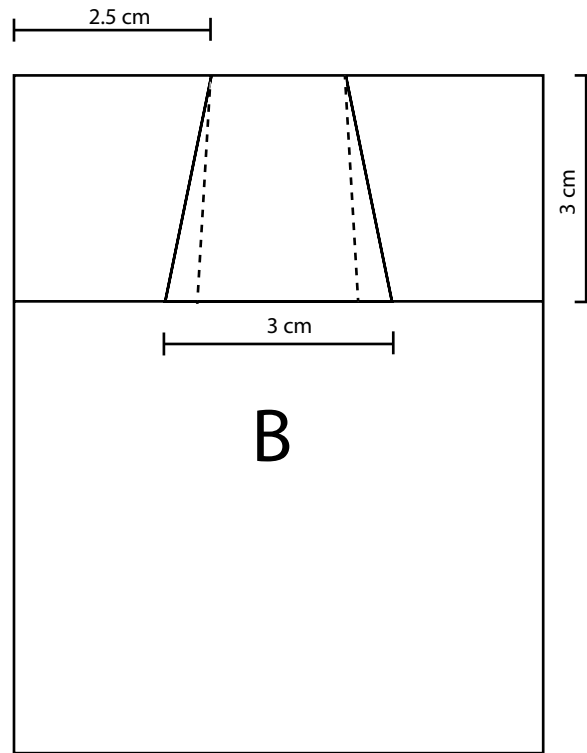
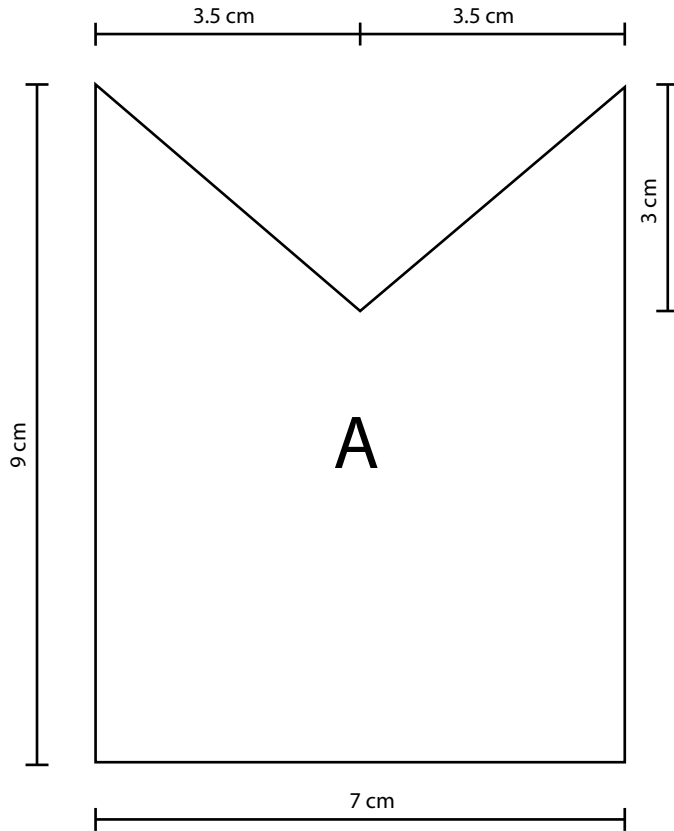


Osaka Castle Otemon Gate's Pillat Splice



Female Part

Design By:
Vasilis Papadopoulos
FS Woodworking