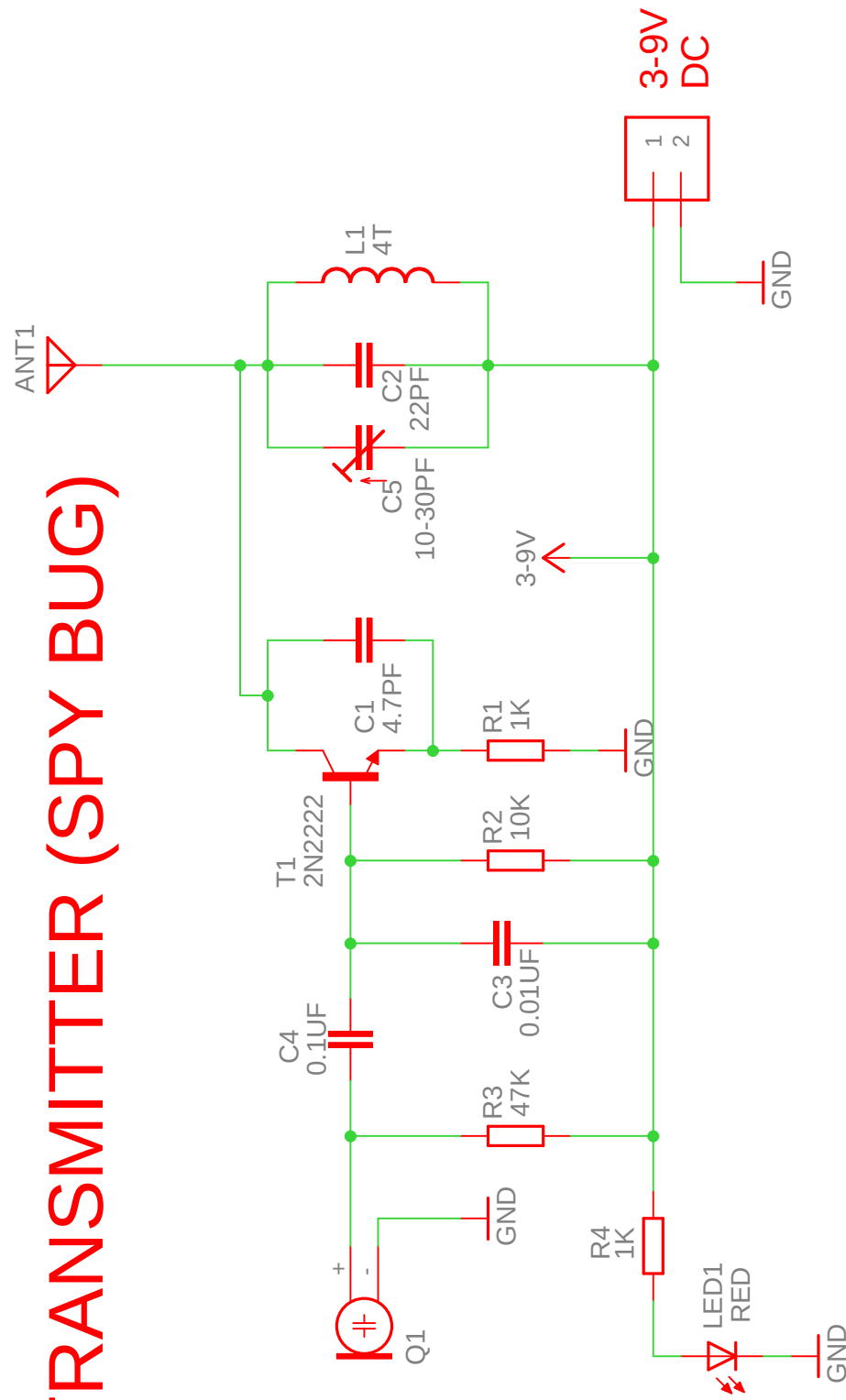


# FM TRANSMITTER (SPY BUG)



**WARNING**  
 This FM Transmitter Circuit is  
 for educational purpose only

**AUTODESK  
 EAGLE**

Ramji Patel376	
FM Transmitter Spy Bug	
9/7/2021 9:13 PM	
Sheet: 1/1	4