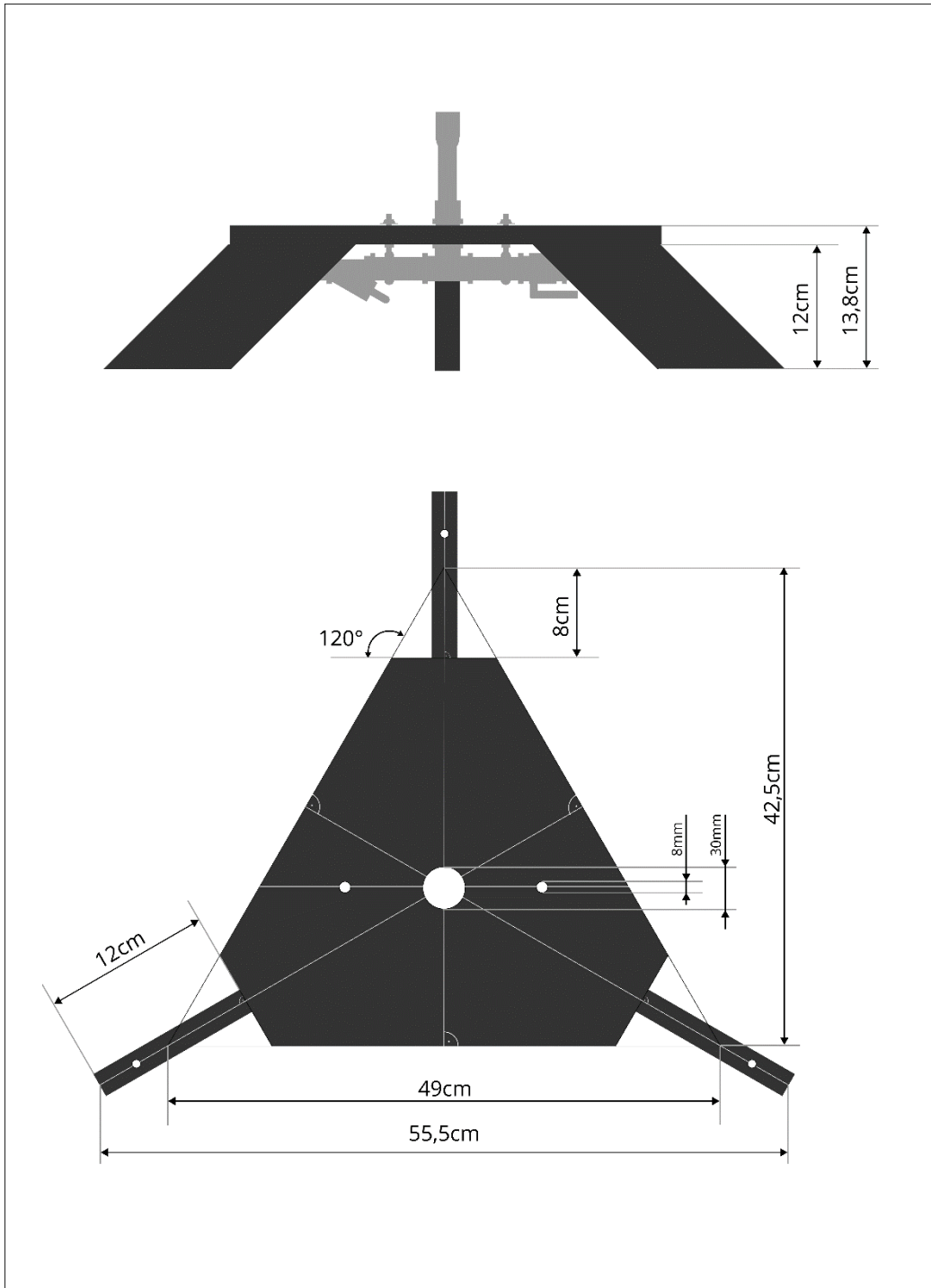
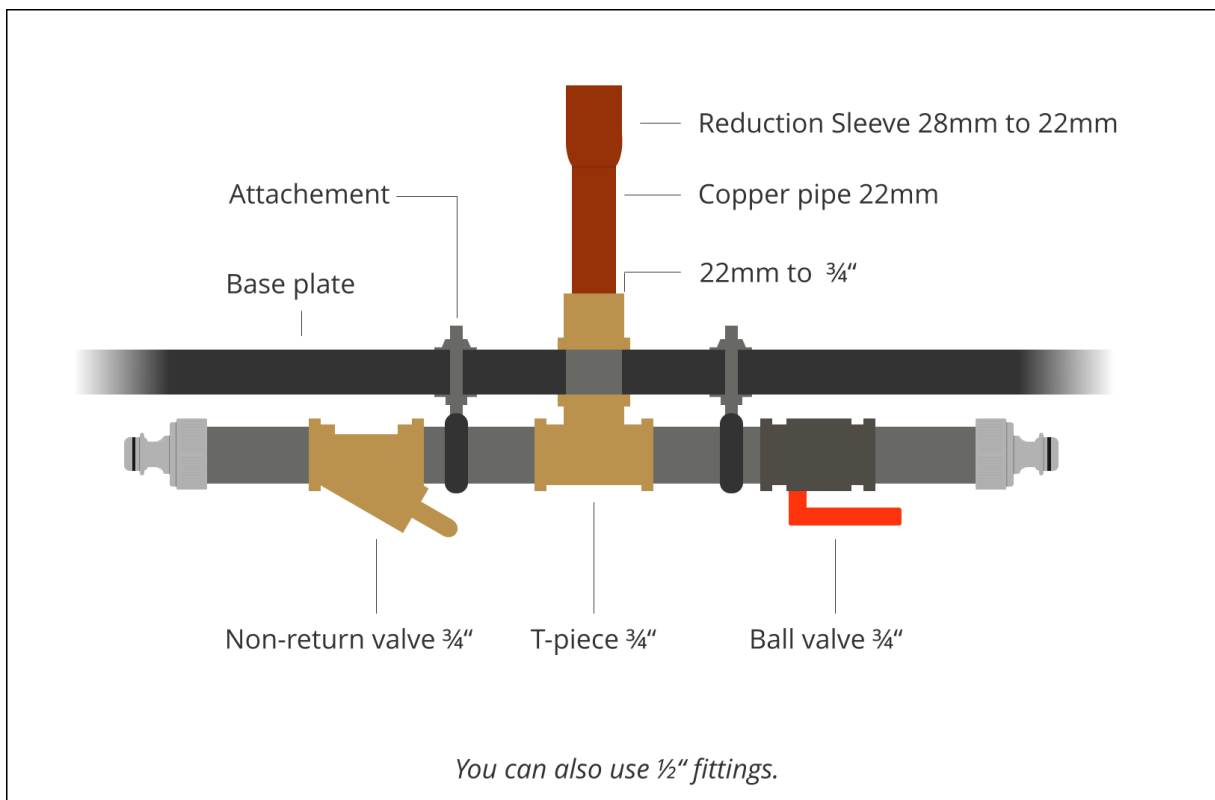
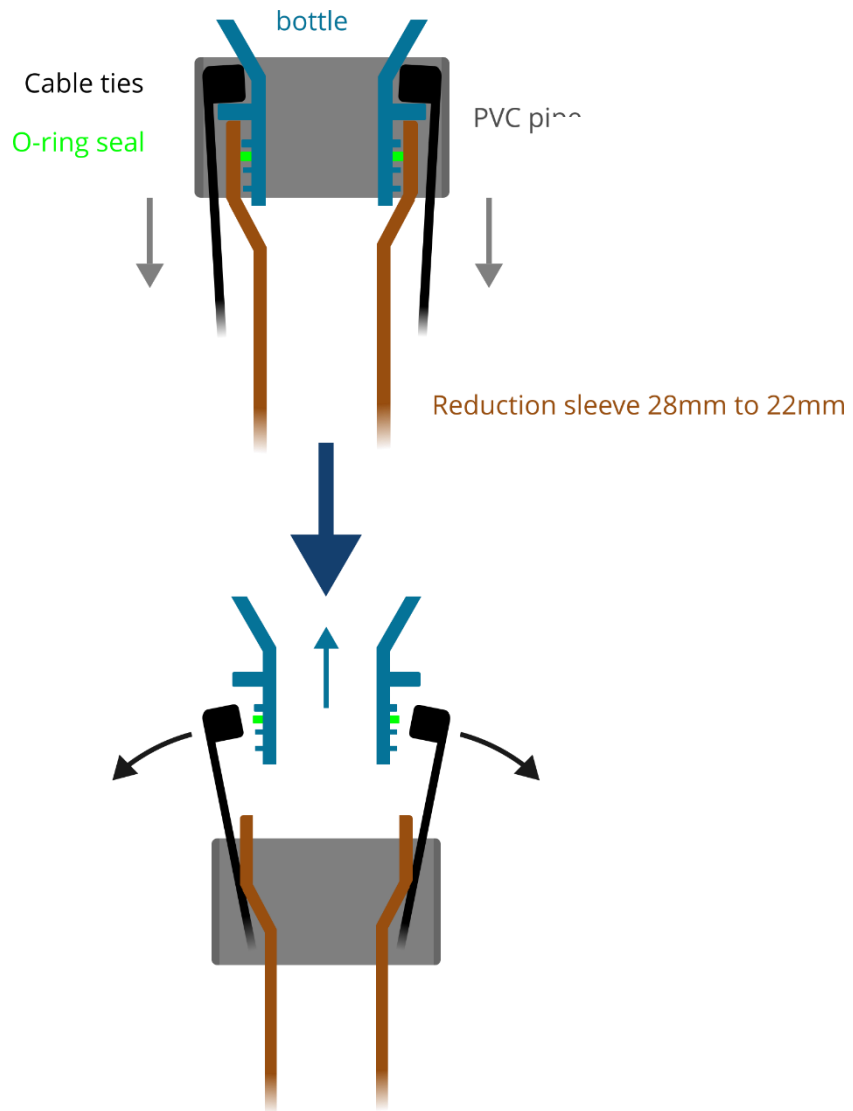


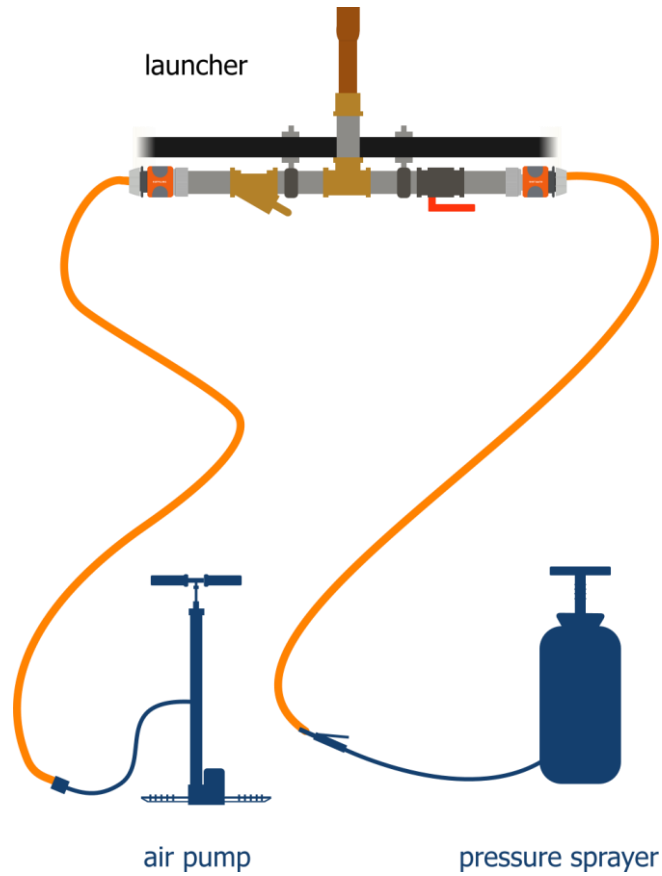
# ENGINEERING DRAWING: LAUNCHER

## RAKETFUED FULL BORE LAUNCHER










---

To succeed with the construction of a water rocket, you will have to work very precisely and carefully. Especially some of the adhesives and resins are pretty dangerous. Thus, please wear gloves when working with adhesive or epoxy and don't breathe in the gases. It is recommended to work outside whenever toxic gases could develop. The launch of a water rocket may needs permission from the competent authority, depending on your location. You need the permission of the landowner if you launch on foreign territory. Please wear safety goggles when pressure testing or launching your rocket. Keep a safe distance to the pressurized rocket. We can not guarantee the accuracy, completeness or feasibility of any our tutorials. We are not responsible for any damage or harm on objects, animals or humans. We do not guarantee that the information provided on this web site is complete, accurate and always current. This applies also to all links cited on this website points, either directly or indirectly. We are not responsible for any damage or harm to objects or individuals.