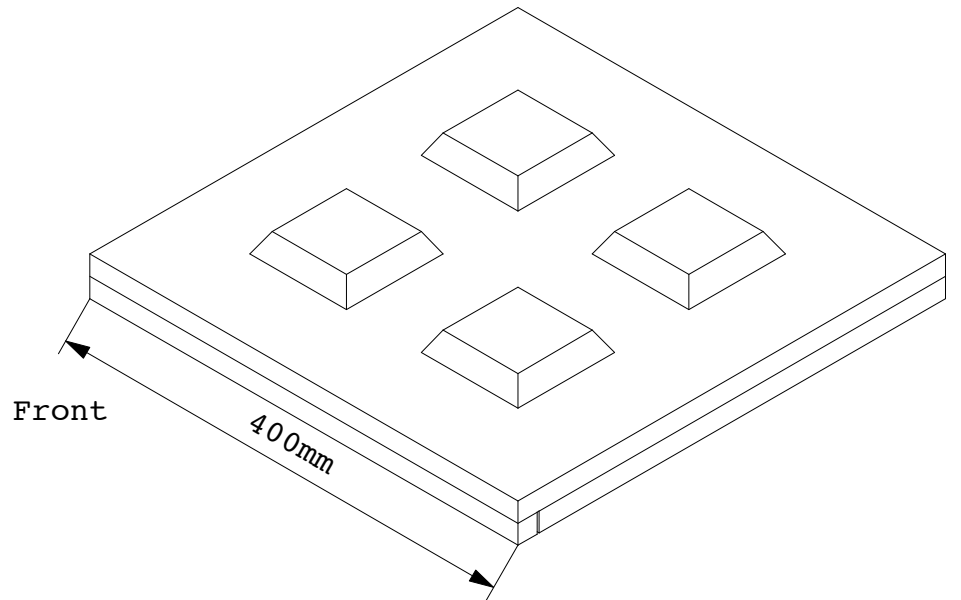
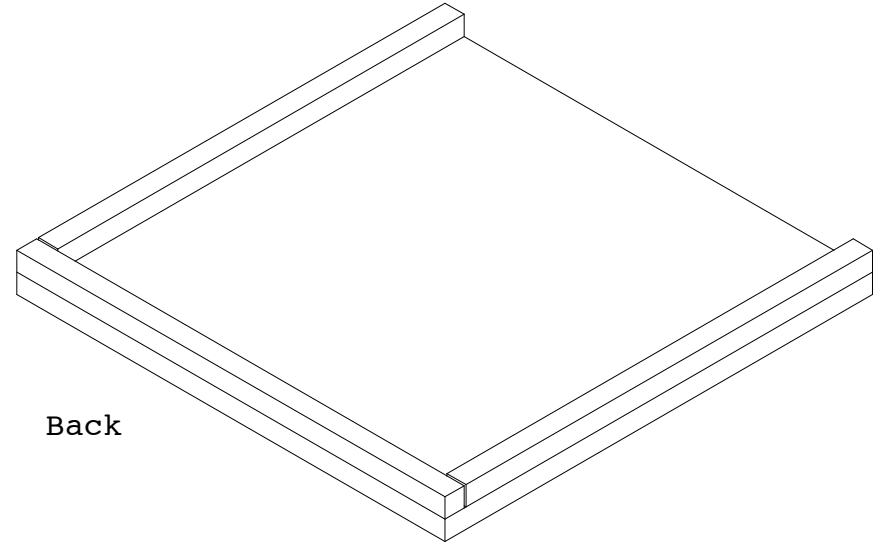
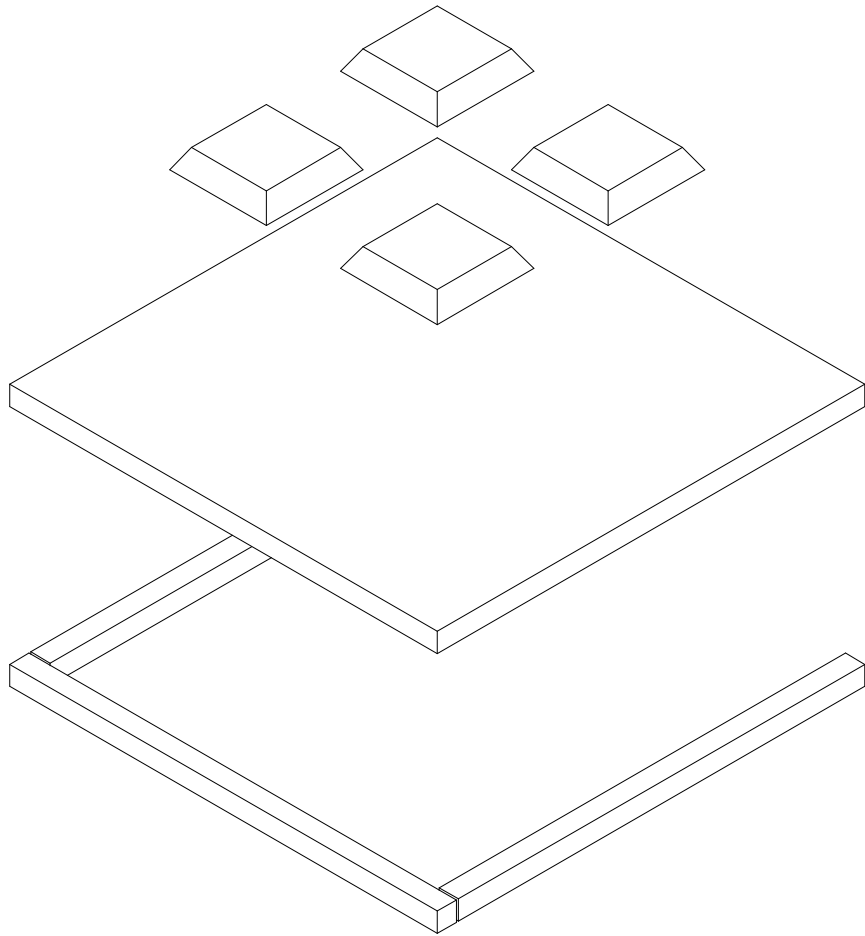
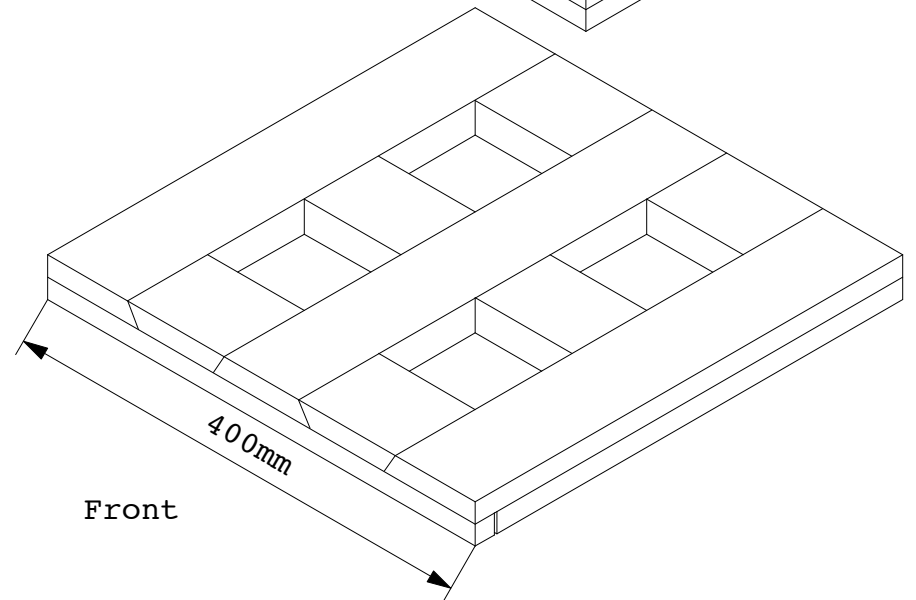
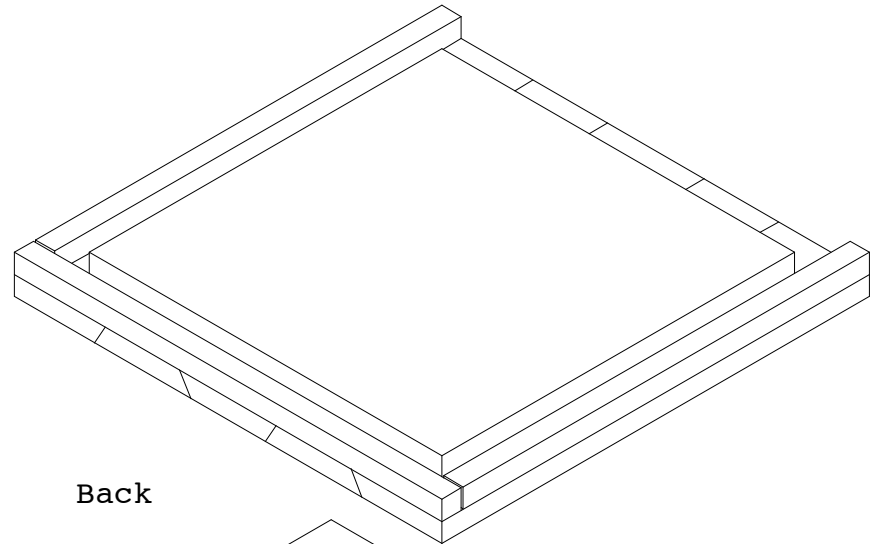
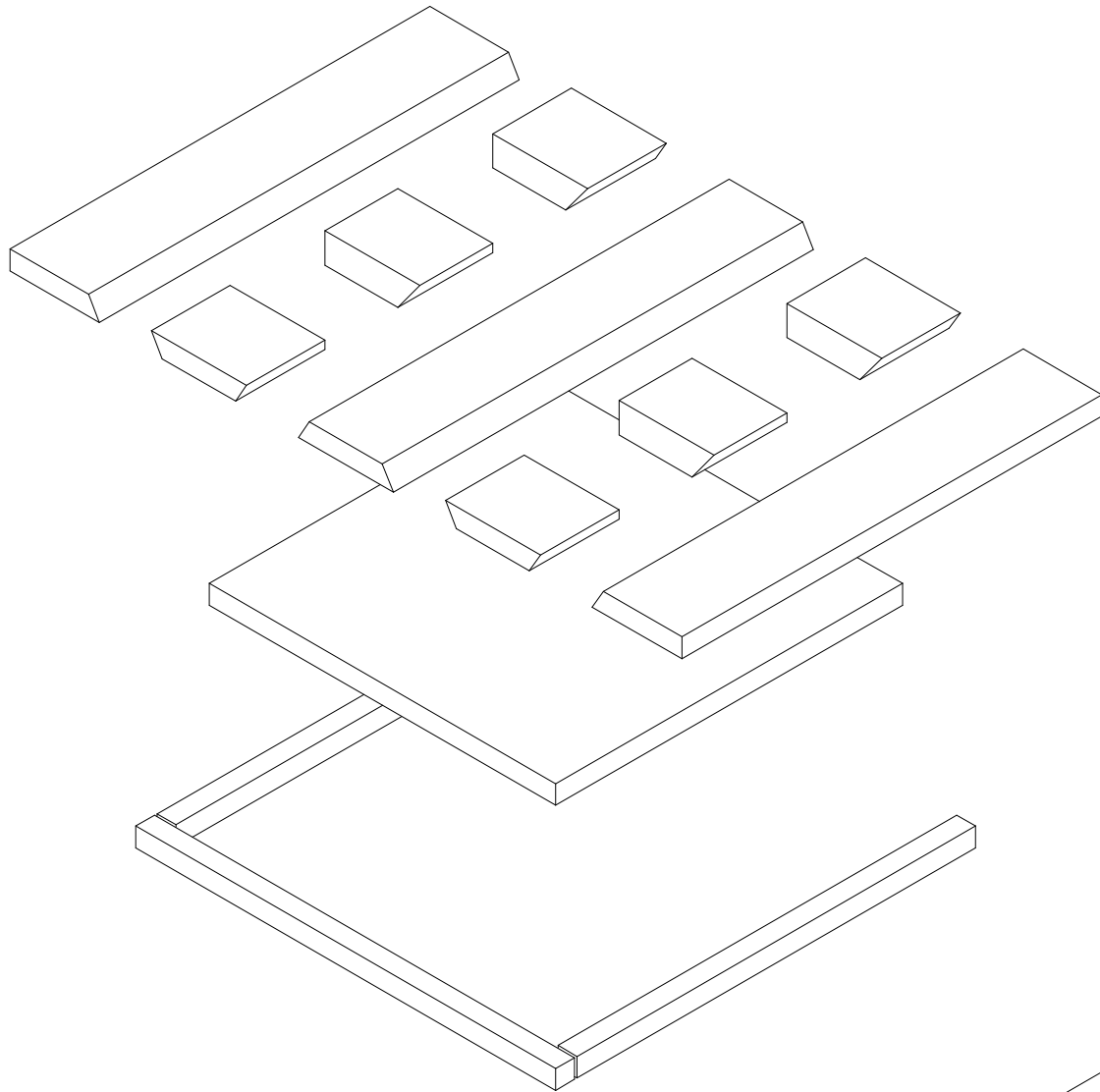


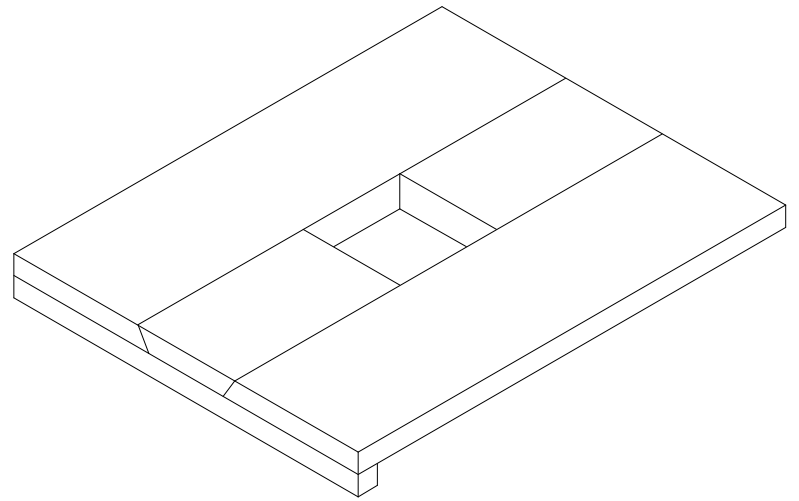
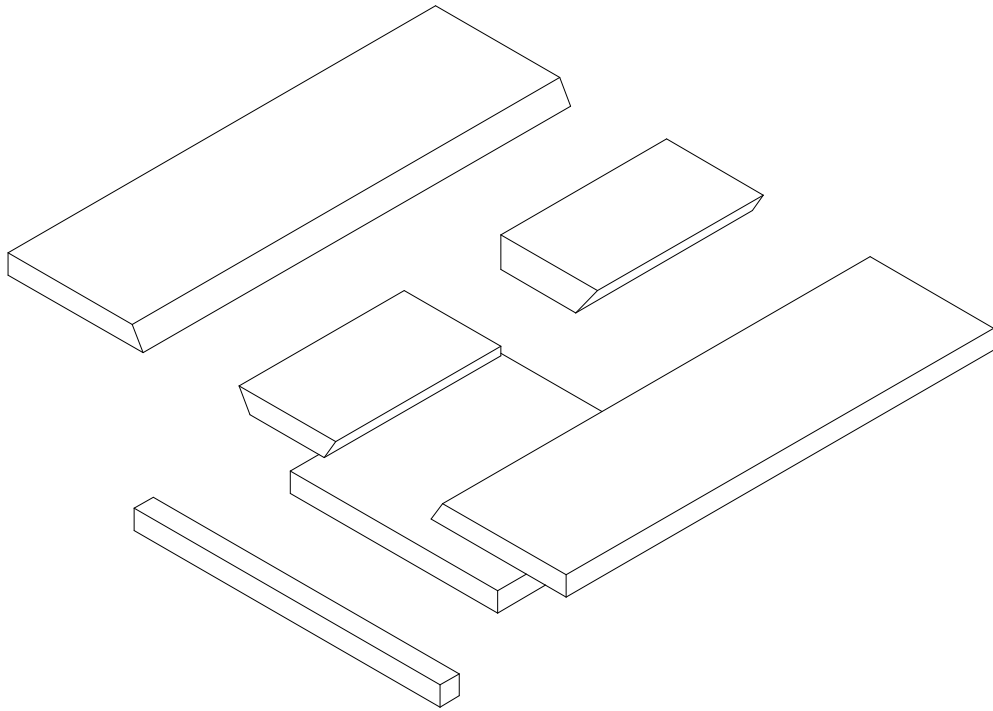
# Bottom Piece Construction



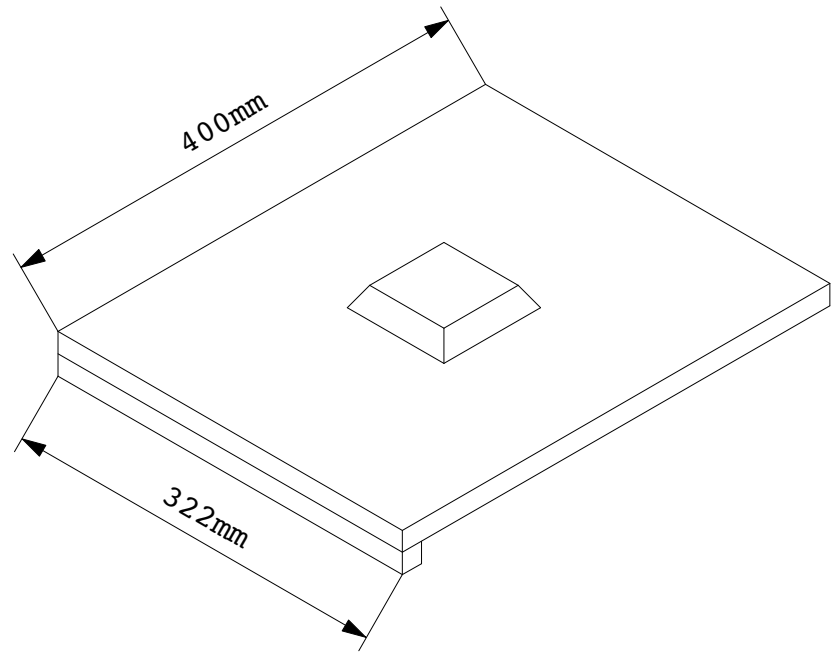
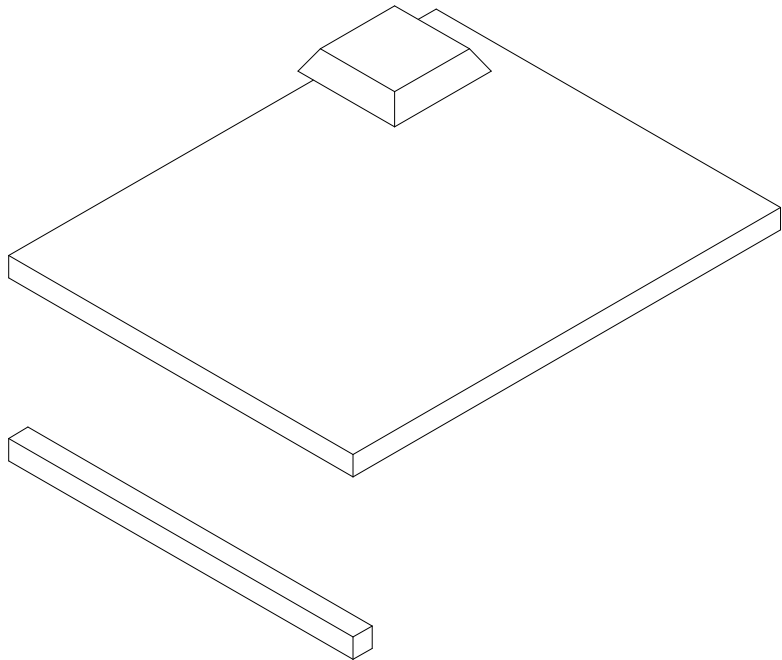
# Top Piece Construction



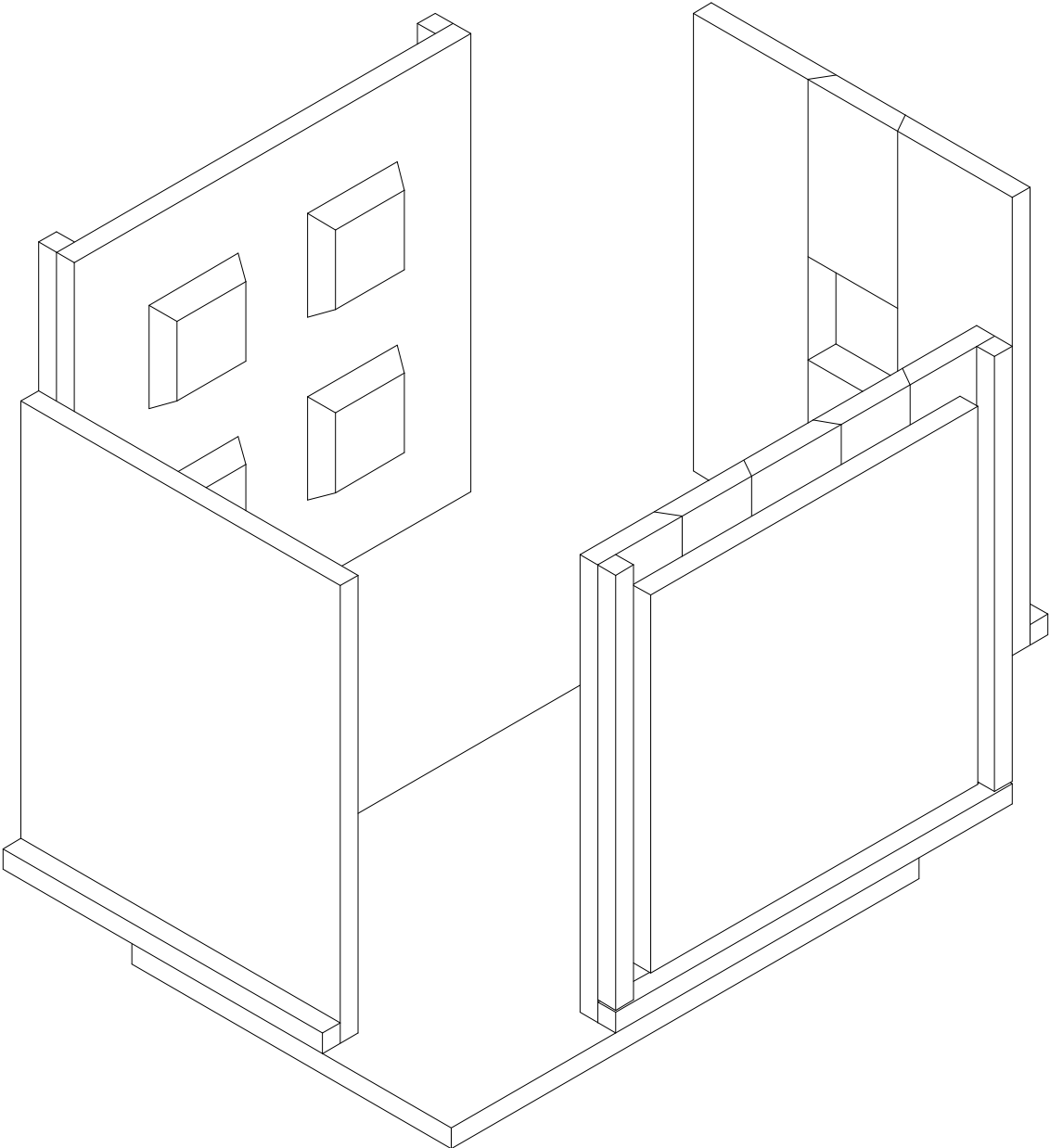
Negative Side Construction



Positive Side Construction



Final Construction



Screws

