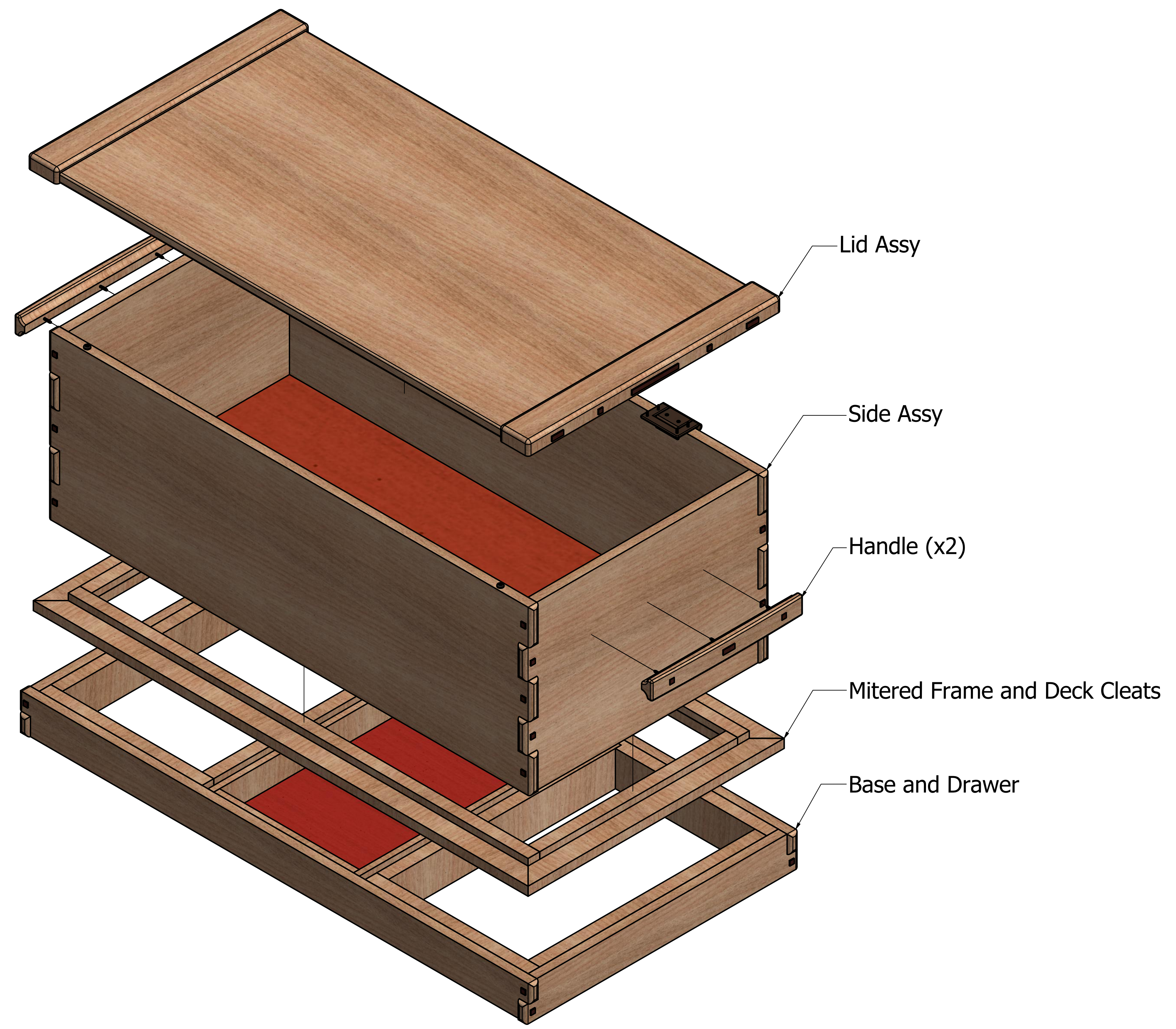
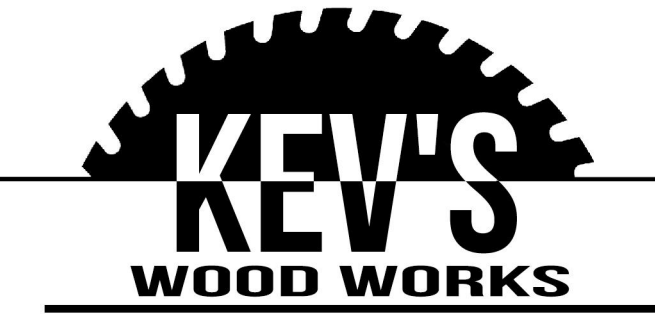


Kevin Culver	12/29/2019	https://kevswoodworks.com MyBenchTime@gmail.com		
		TITLE		
		Chest		
		SIZE	DWG NO	REV
		D	Chest_Expanded	A
		SCALE	2	SHEET 1 OF 25



Lid Assy

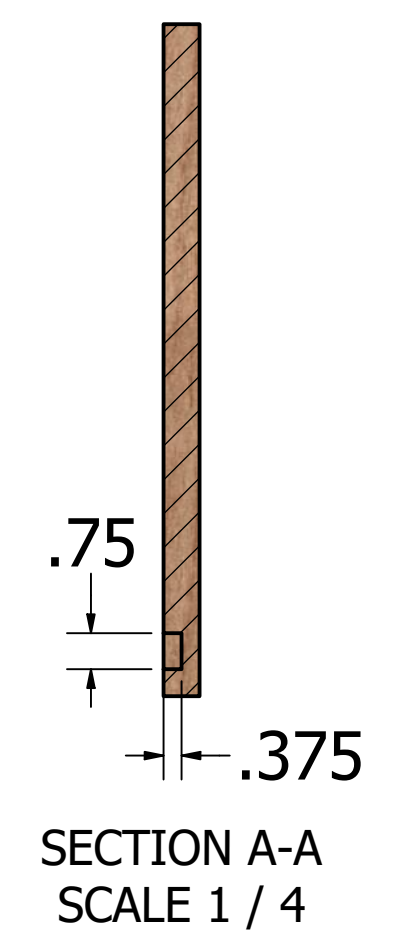
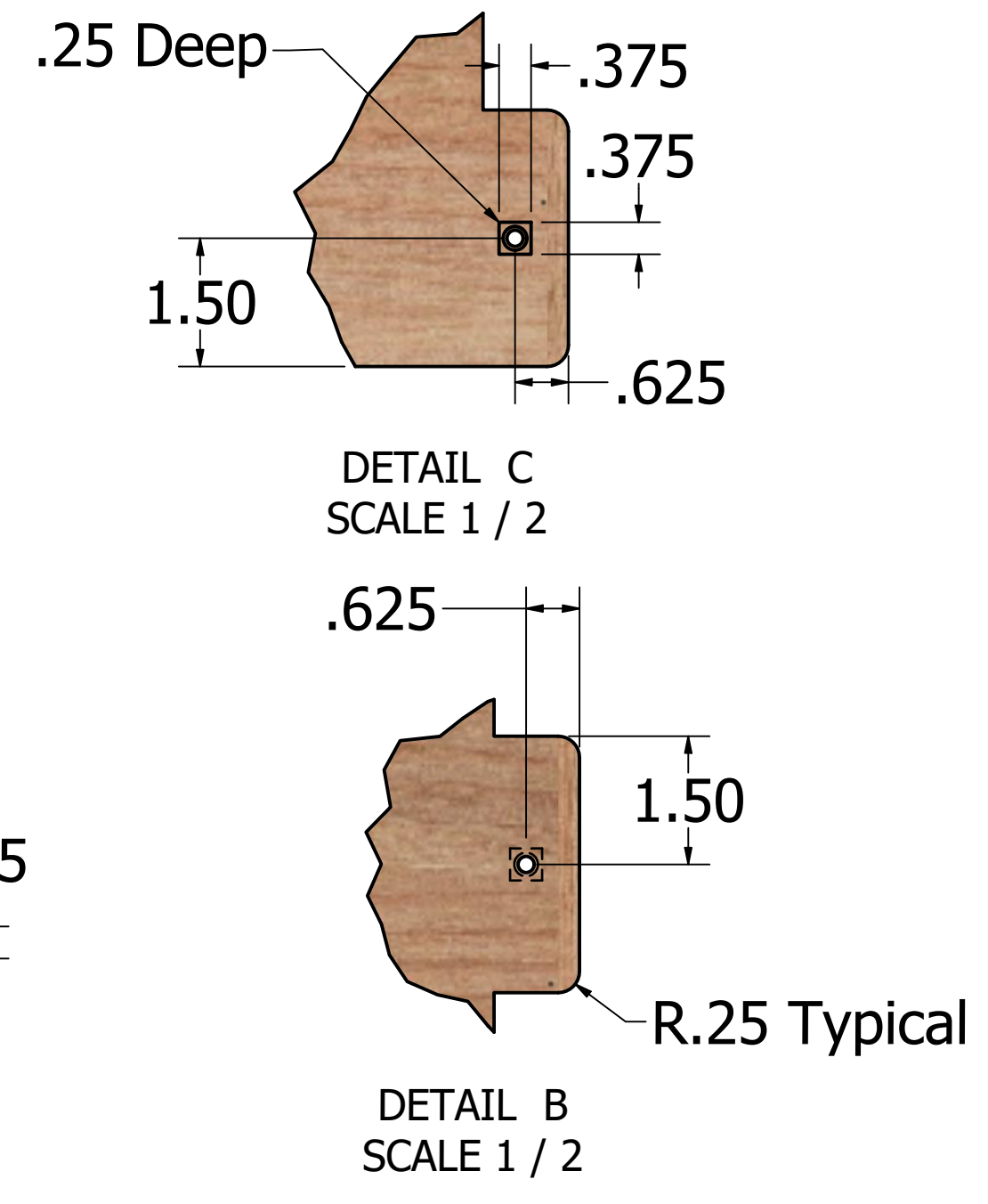
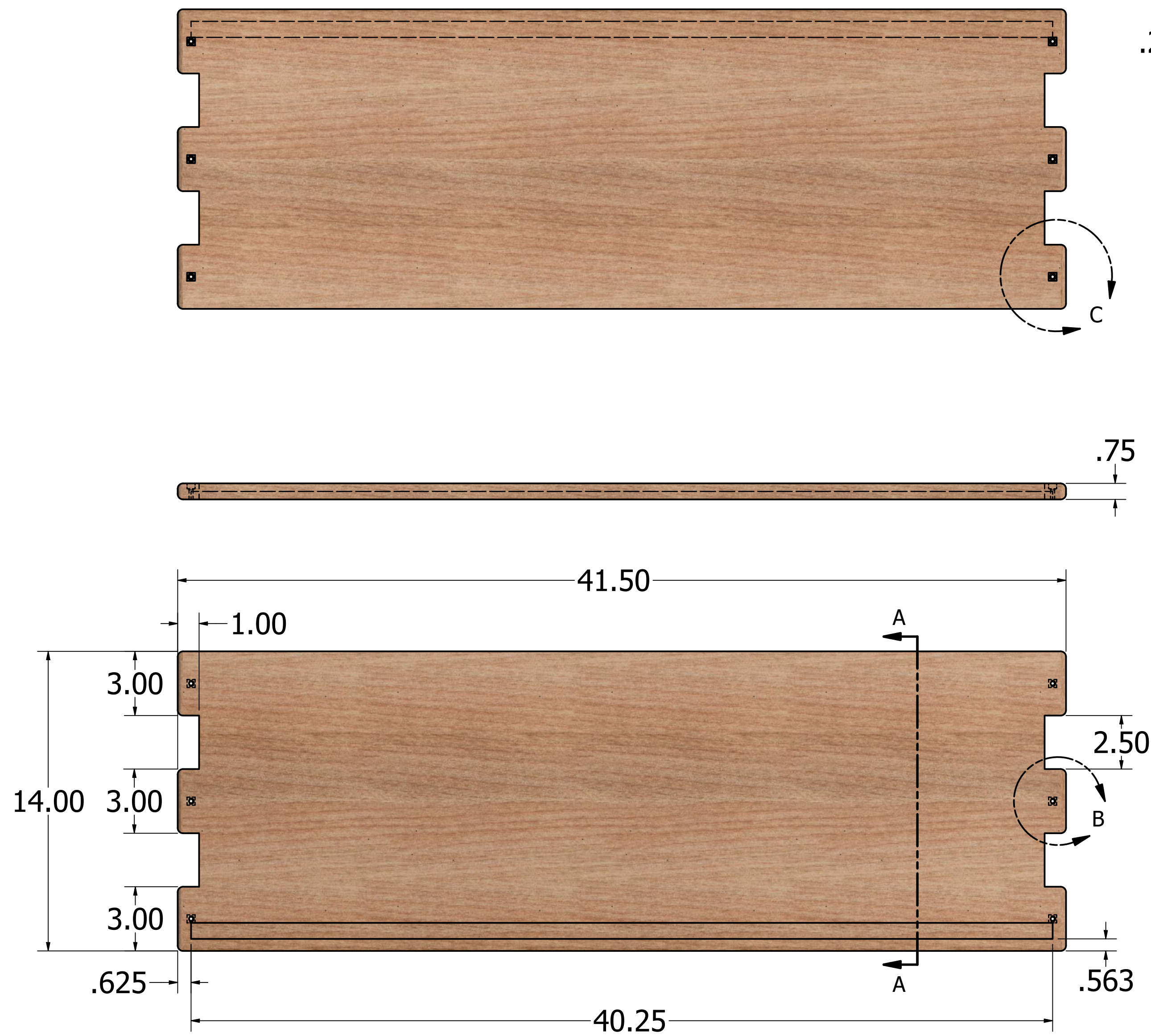
Side Assy

Handle (x2)

Mitered Frame and Deck Cleats

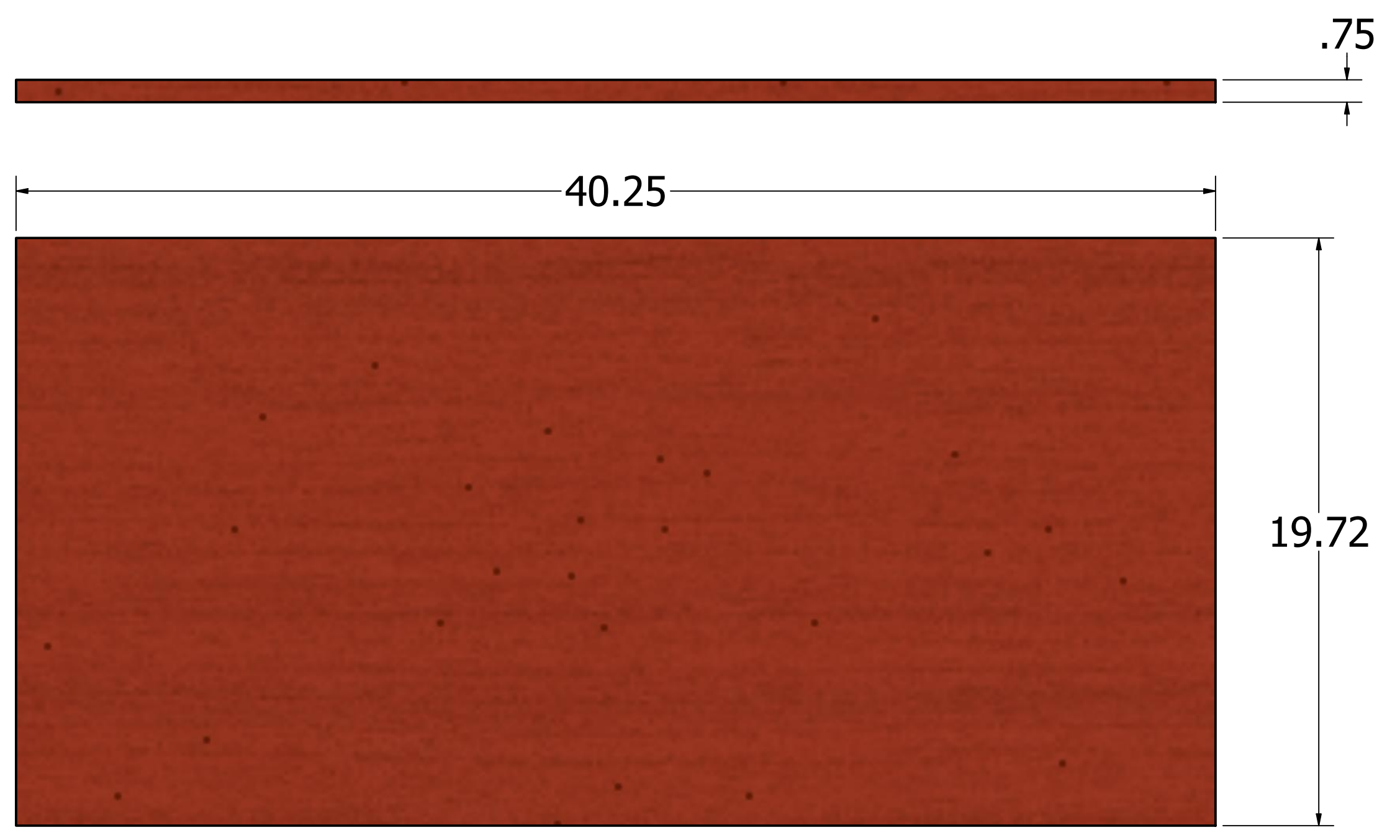
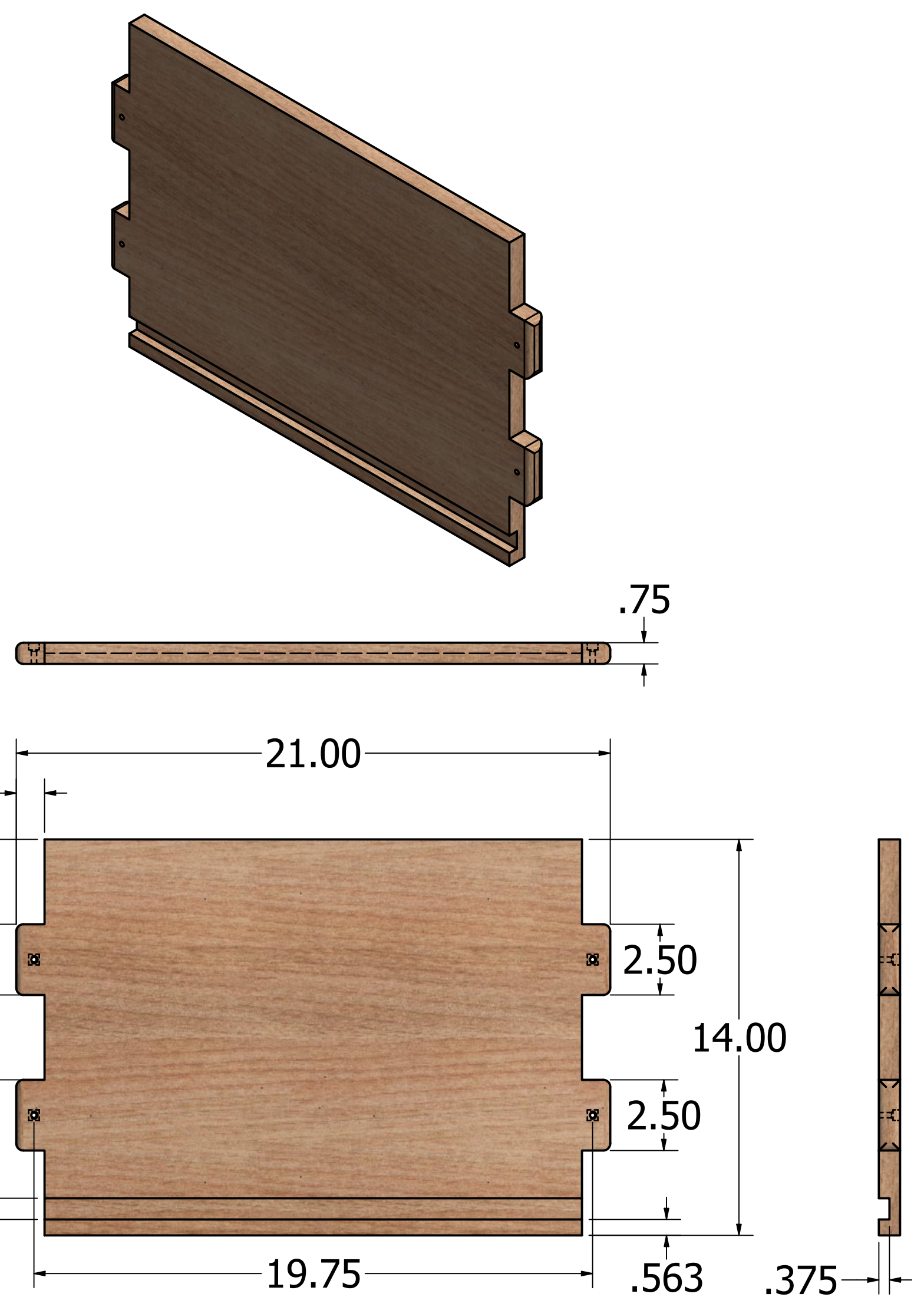
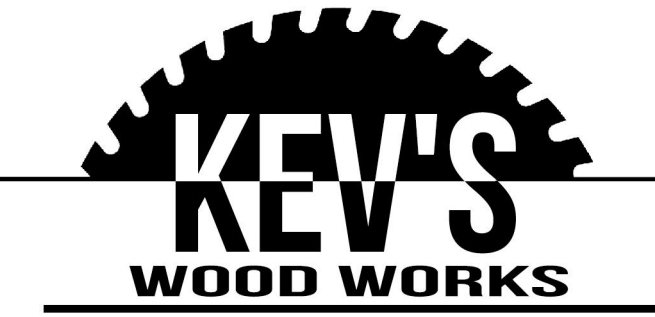
Base and Drawer

Kevin Culver	12/29/2019	https://kevswoodworks.com MyBenchTime@gmail.com		
		TITLE		
		Chest		
		SIZE	DWG NO	REV
		D	Chest_Expanded	A
		SCALE	.25	SHEET 2 OF 25



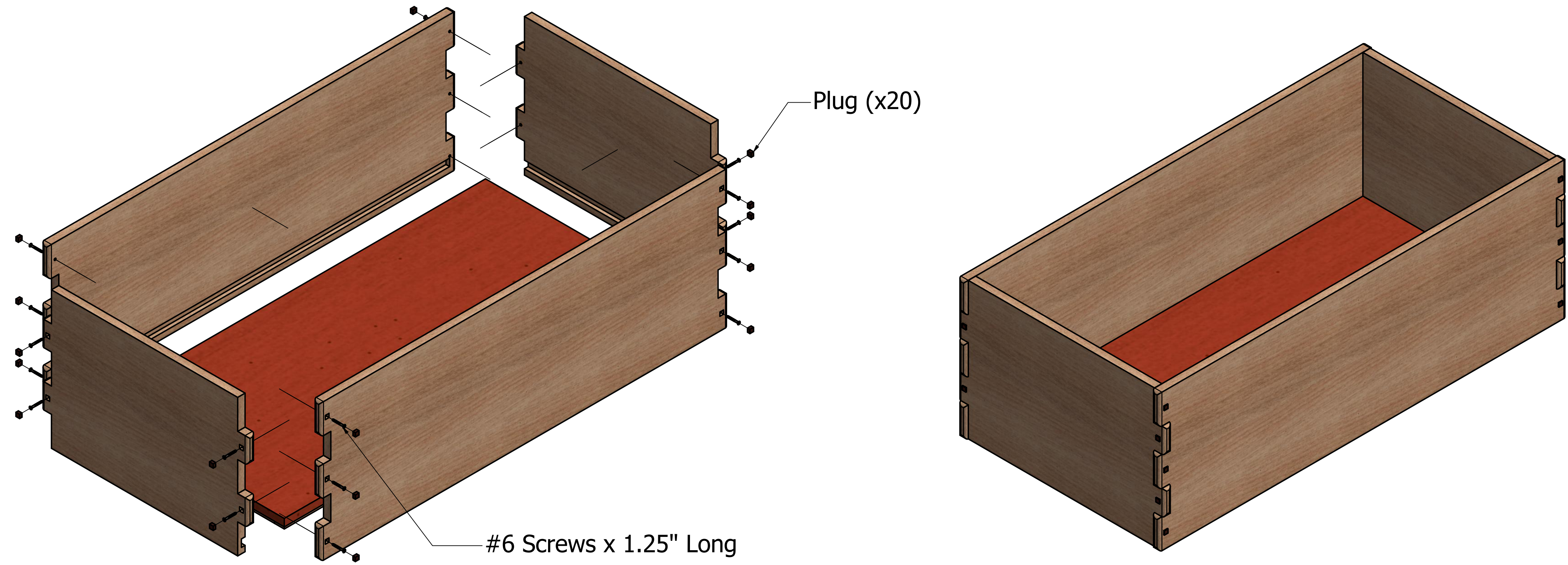
LONG SIDE

Kevin Culver	12/29/2019	https://kevswoodworks.com MyBenchTime@gmail.com		
		TITLE		
		Chest		
		SIZE	DWG NO	REV
		D	Chest_Expanded	A
		SCALE	1 / 4	SHEET 3 OF 25



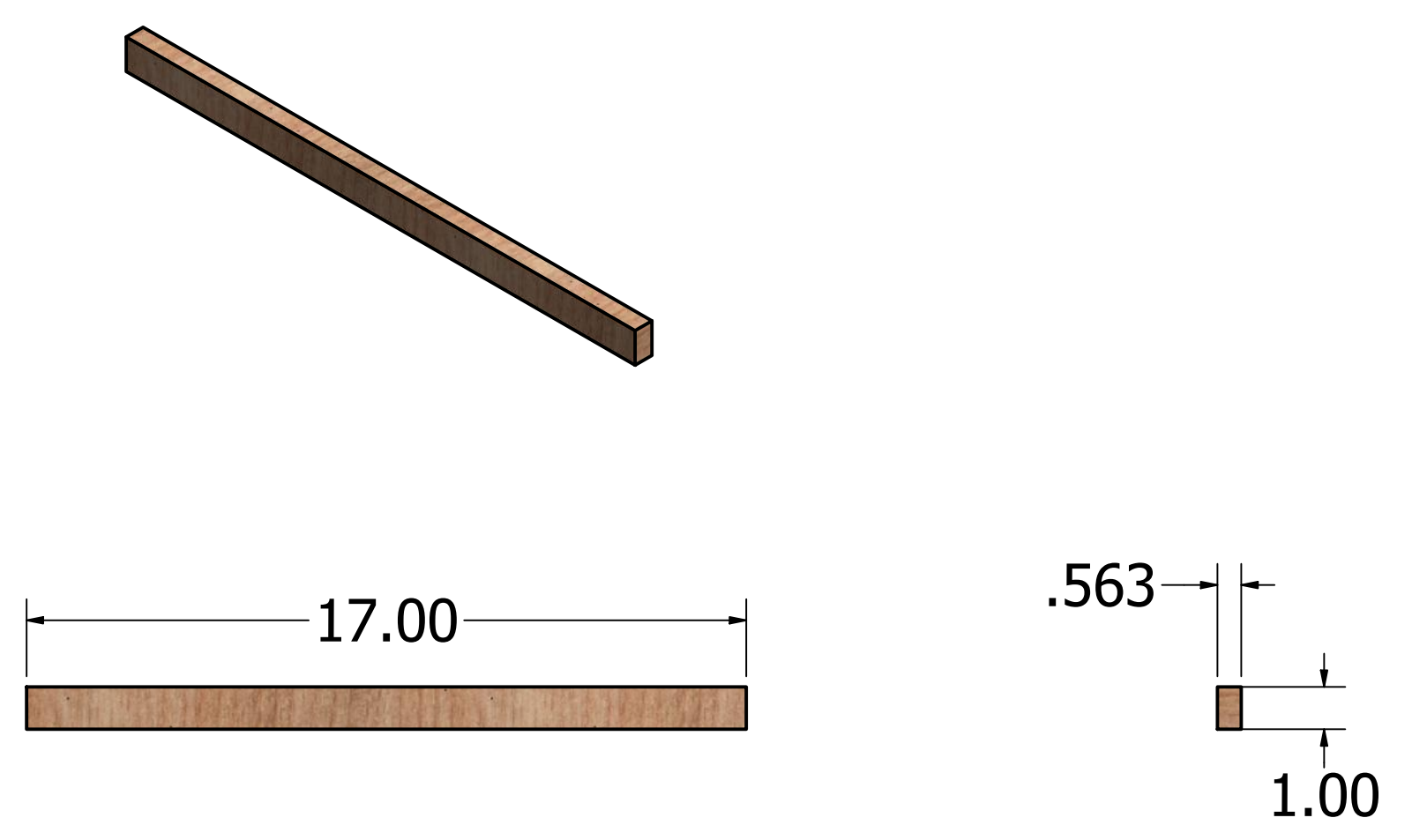
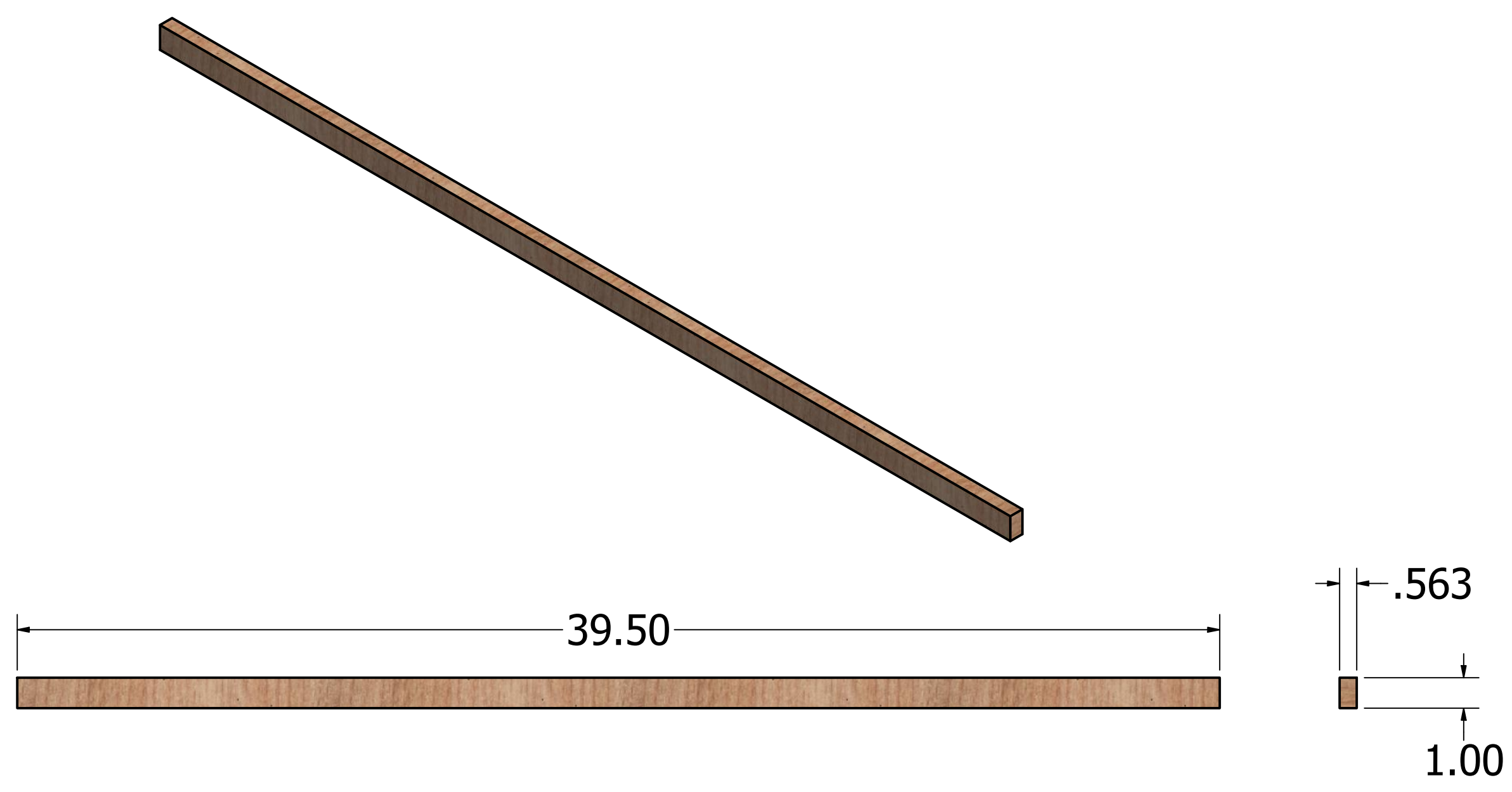
SHORT SIDE (x2) AND FLOOR

Kevin Culver	12/29/2019	https://kevswoodworks.com MyBenchTime@gmail.com		
		TITLE		
		Chest		
		SIZE	DWG NO	REV
		D	Chest_Expanded	A
		SCALE	.25	SHEET 4 OF 25



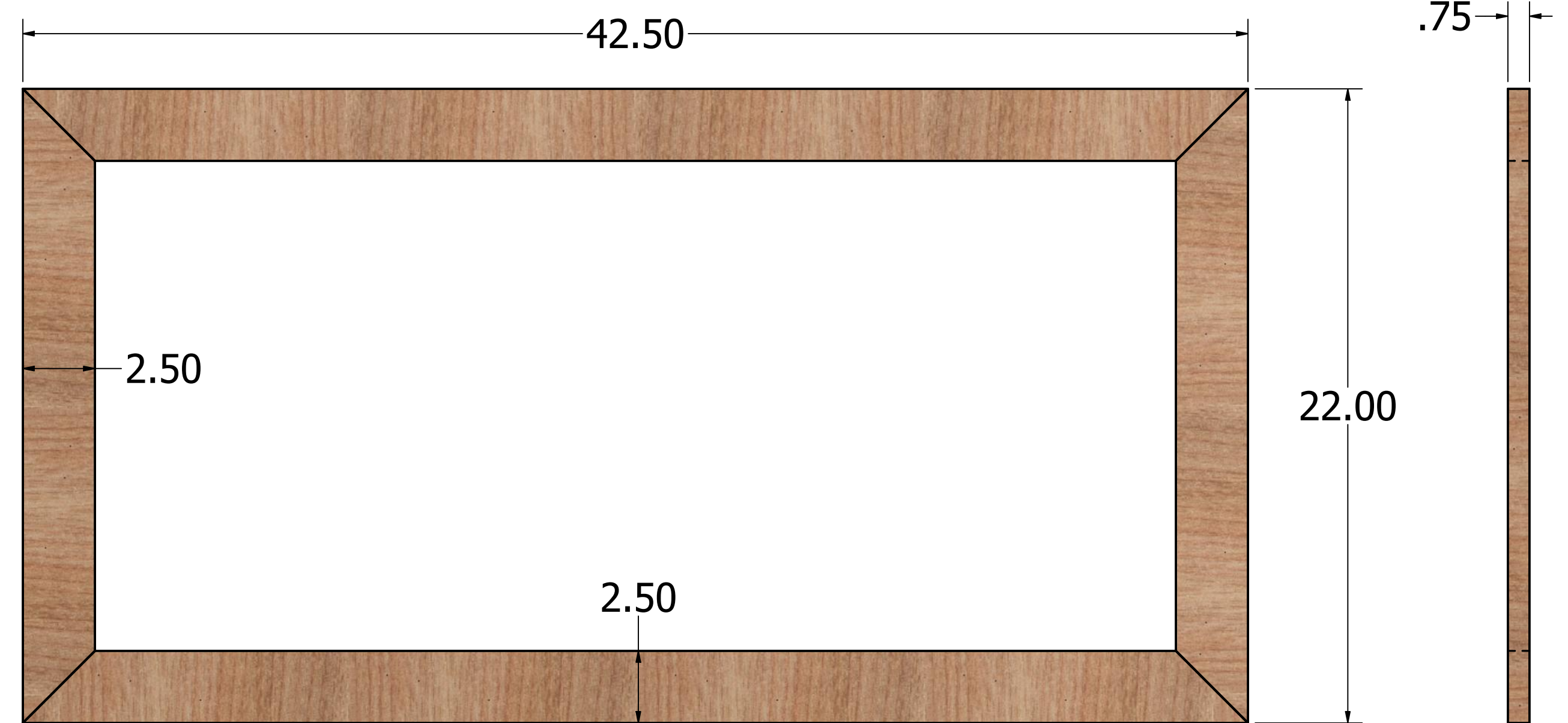
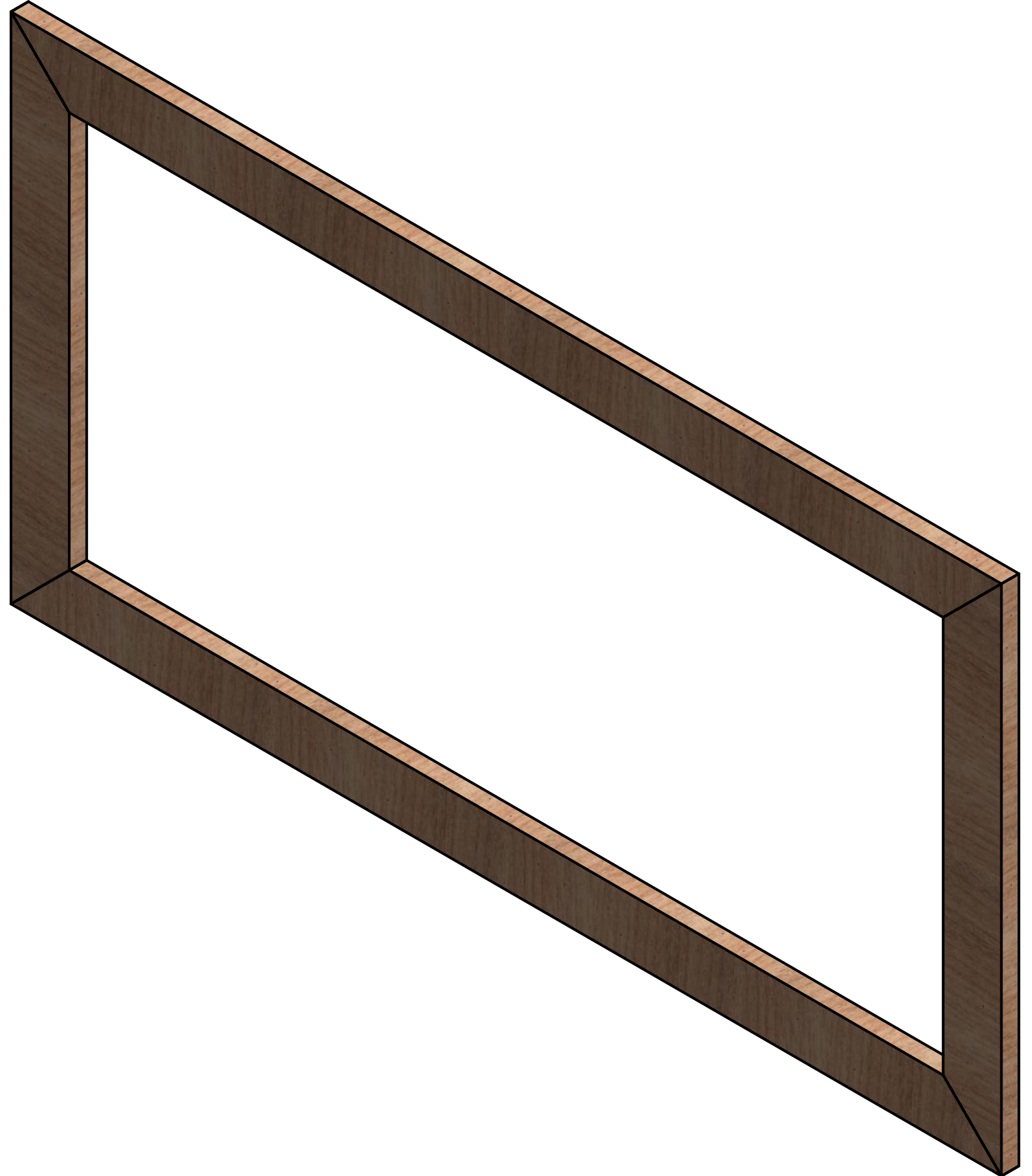
SIDES AND FLOOR

Kevin Culver	12/29/2019	https://kevswoodworks.com MyBenchTime@gmail.com		
		TITLE		
		Chest		
		SIZE	DWG NO	REV
		D	Chest_Expanded	A
		SCALE	.2	SHEET 5 OF 25



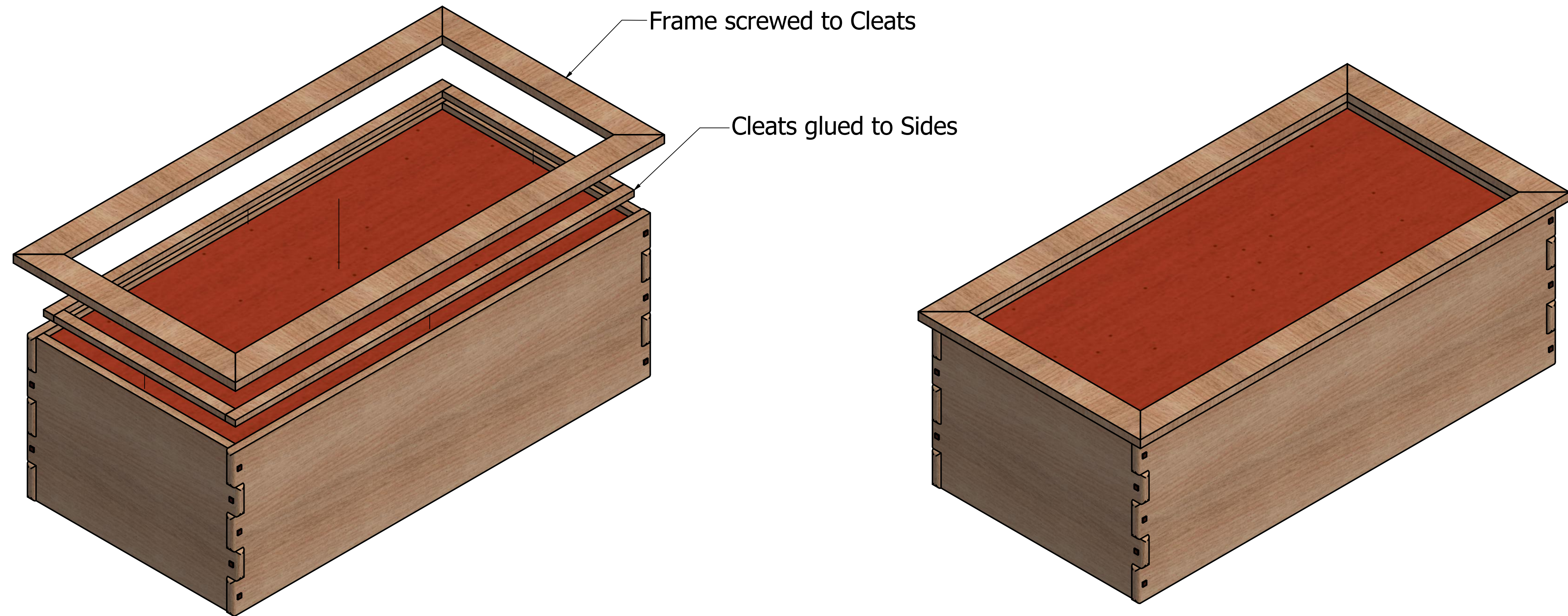
DECK CLEATS

Kevin Culver	12/29/2019	https://kevswoodworks.com MyBenchTime@gmail.com		
		TITLE		
		Chest		
		SIZE	DWG NO	REV
		D	Chest_Expanded	A
		SCALE	1 / 4	SHEET 6 OF 25



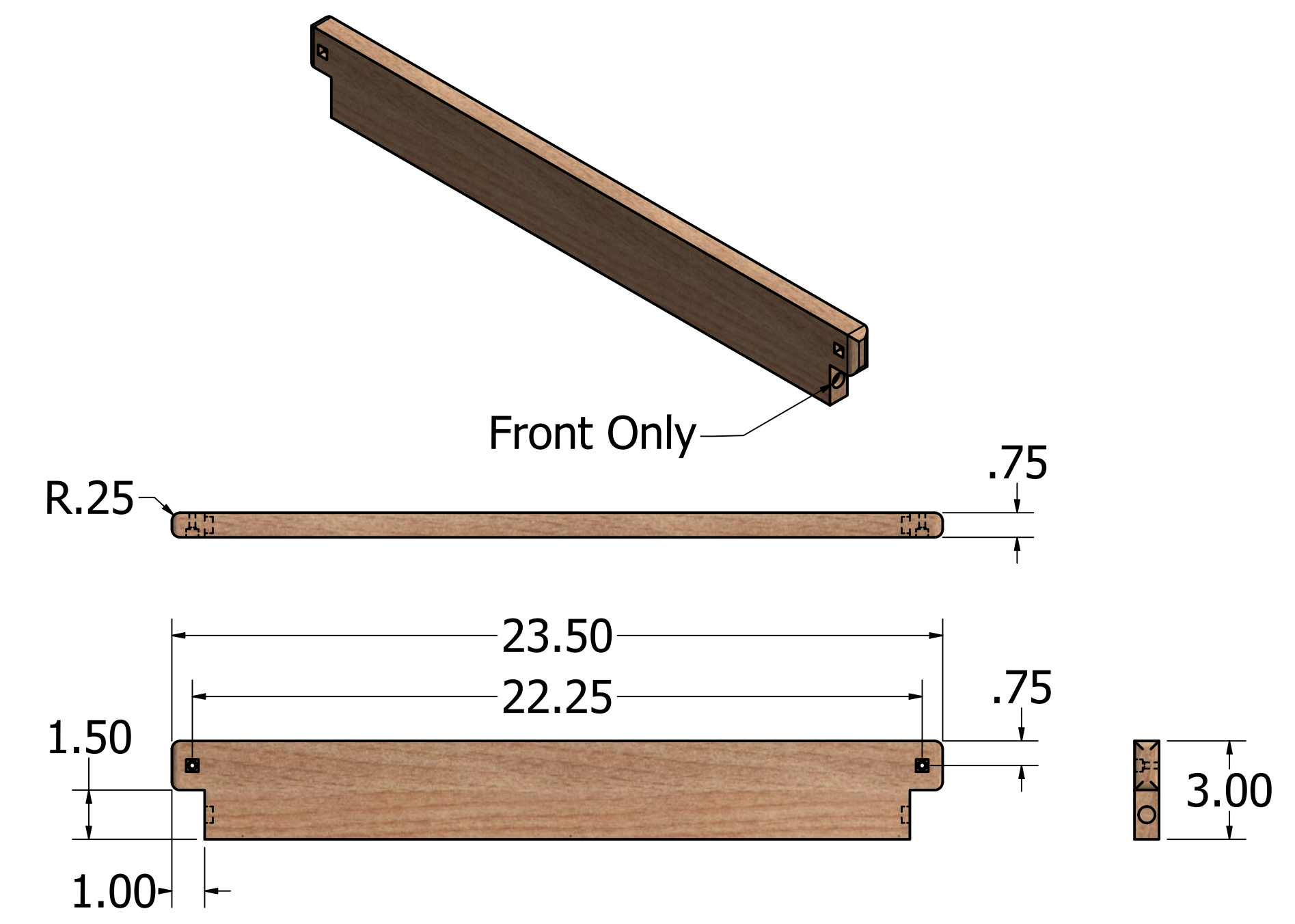
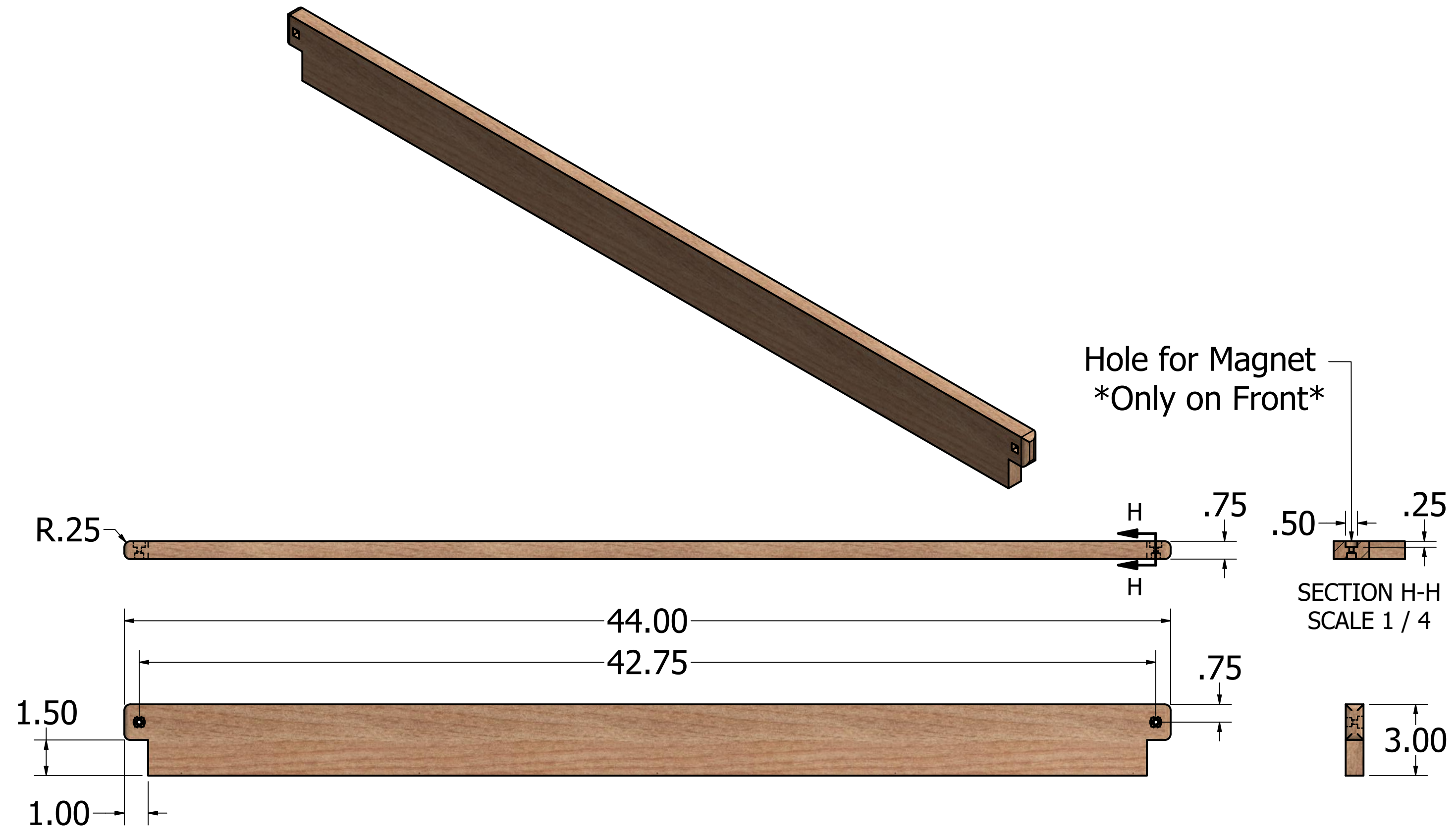
MITERED FRAME

Kevin Culver	12/29/2019	https://kevswoodworks.com MyBenchTime@gmail.com		
		TITLE		
		Chest		
		SIZE	DWG NO	REV
		D	Chest_Expanded	A
		SCALE	1 / 4	SHEET 7 OF 25



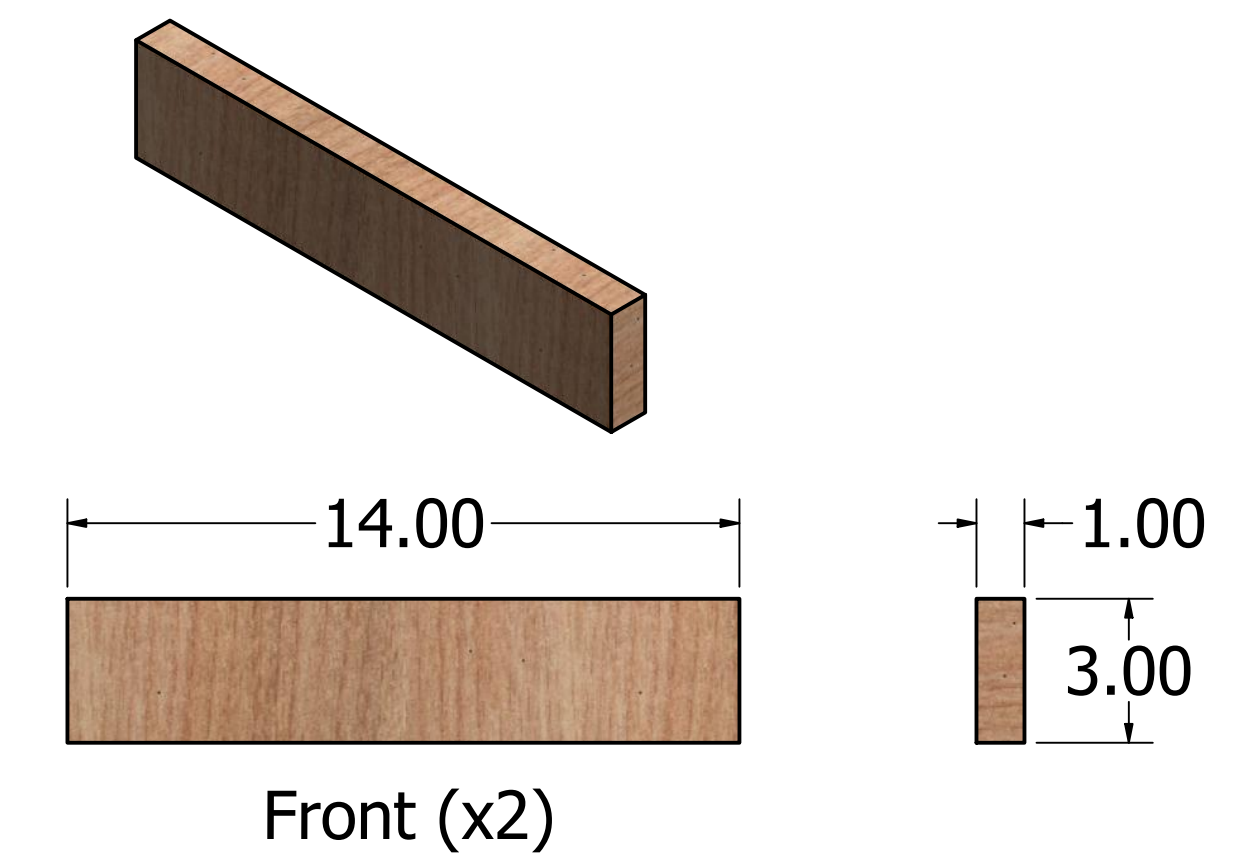
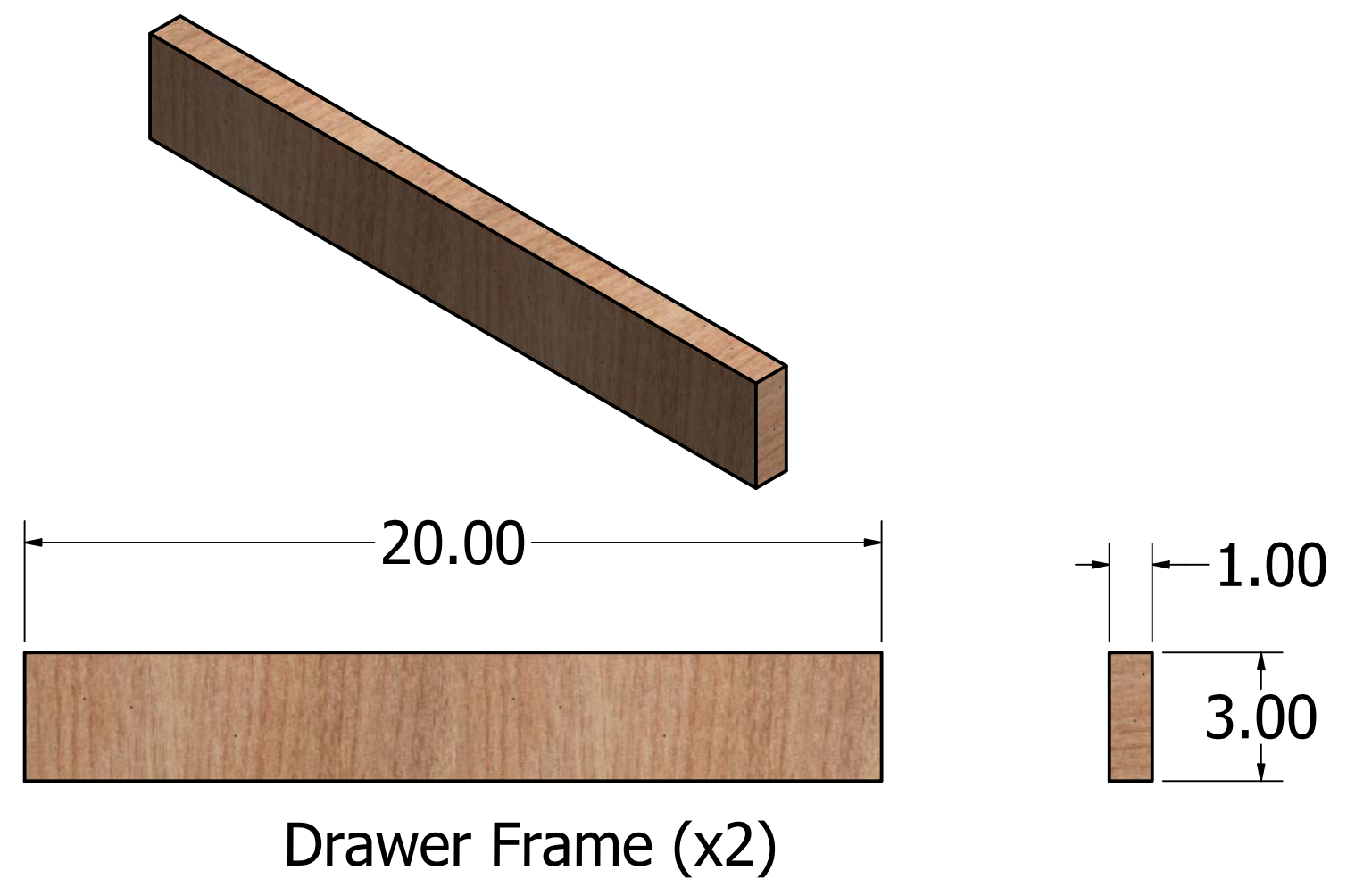
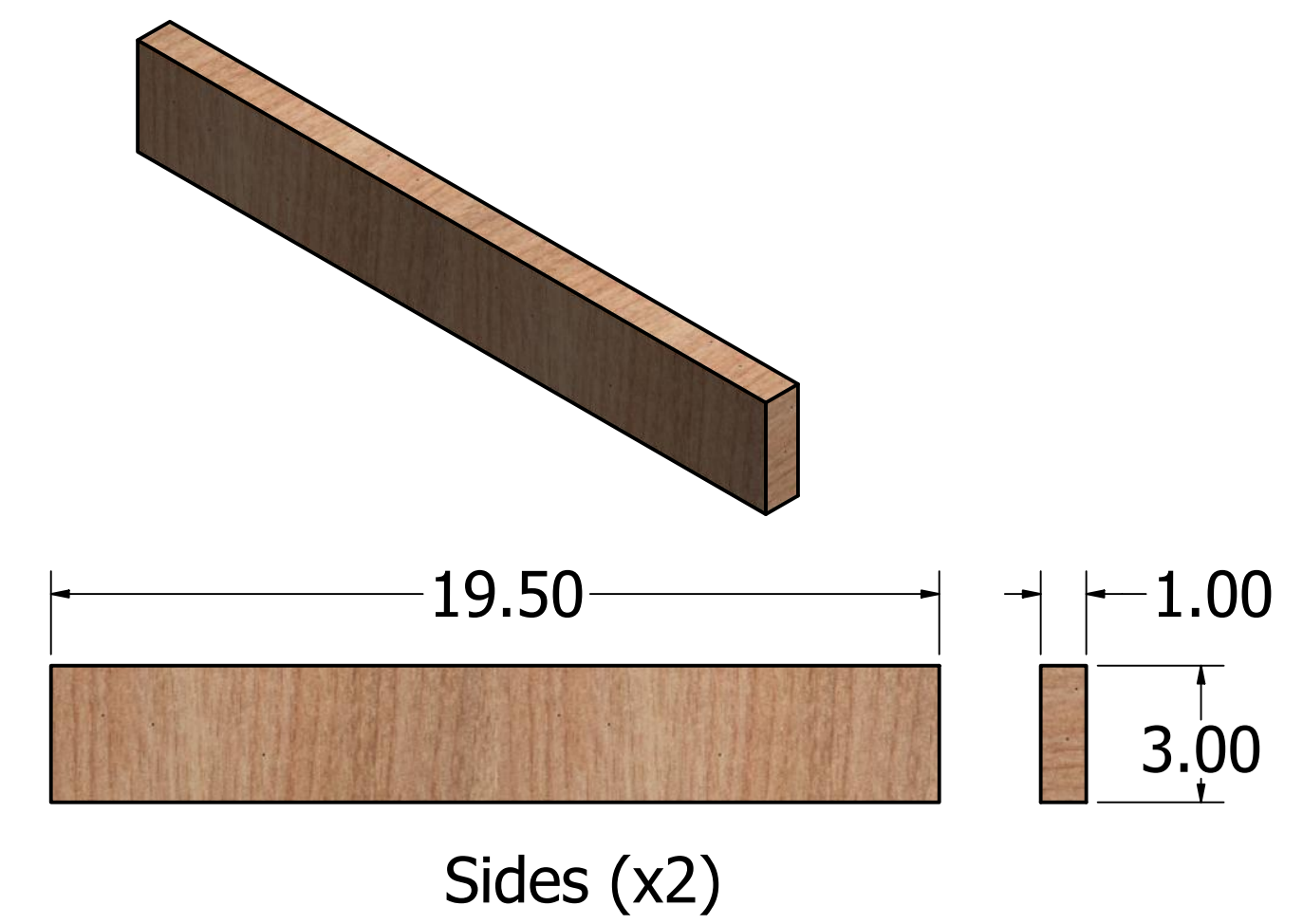
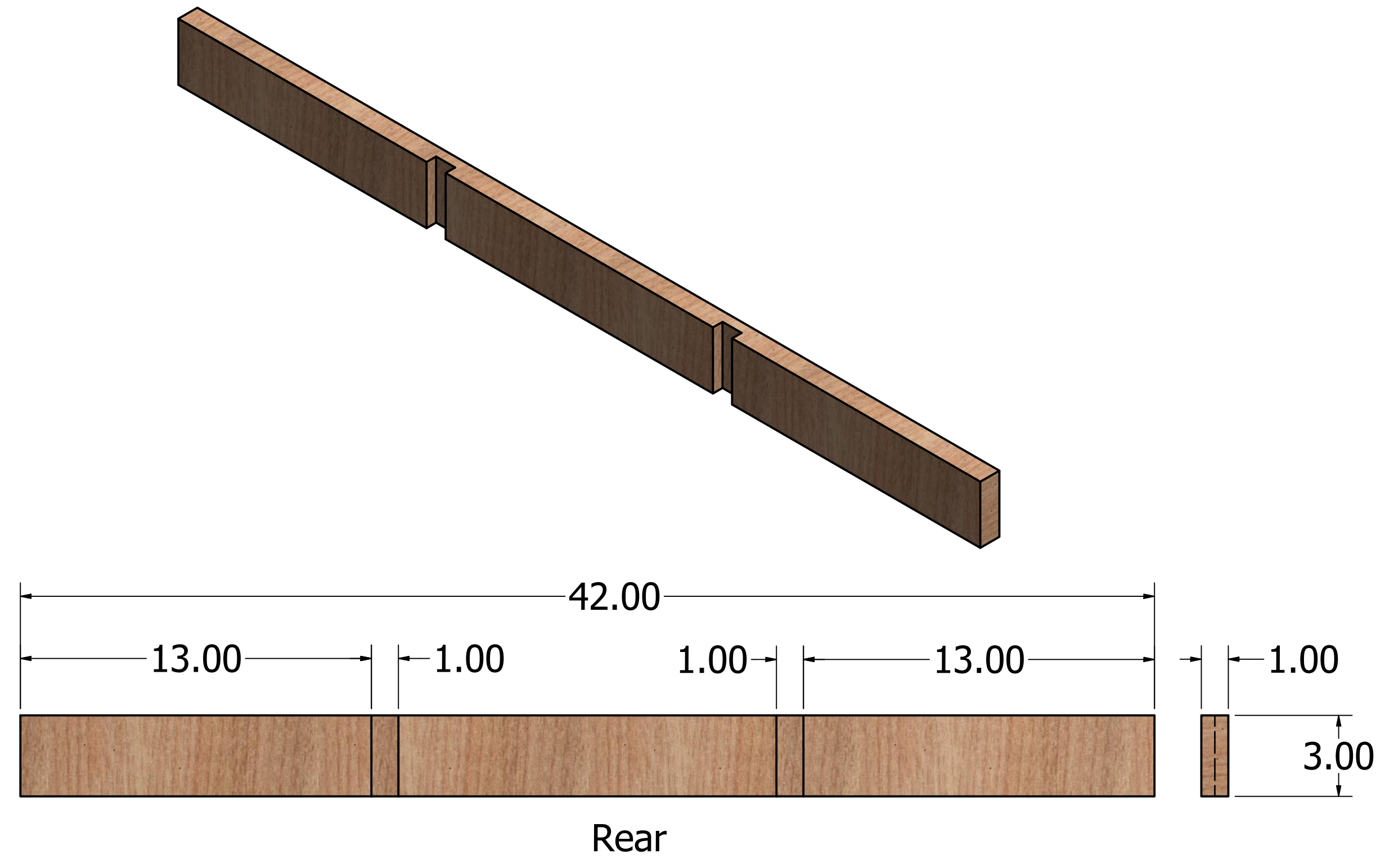
MITERED FRAME AND DECK CLEATS

Kevin Culver	12/29/2019	https://kevswoodworks.com MyBenchTime@gmail.com		
		TITLE		
		Chest		
		SIZE	DWG NO	REV
		D	Chest_Expanded	A
		SCALE	.2	SHEET 8 OF 25



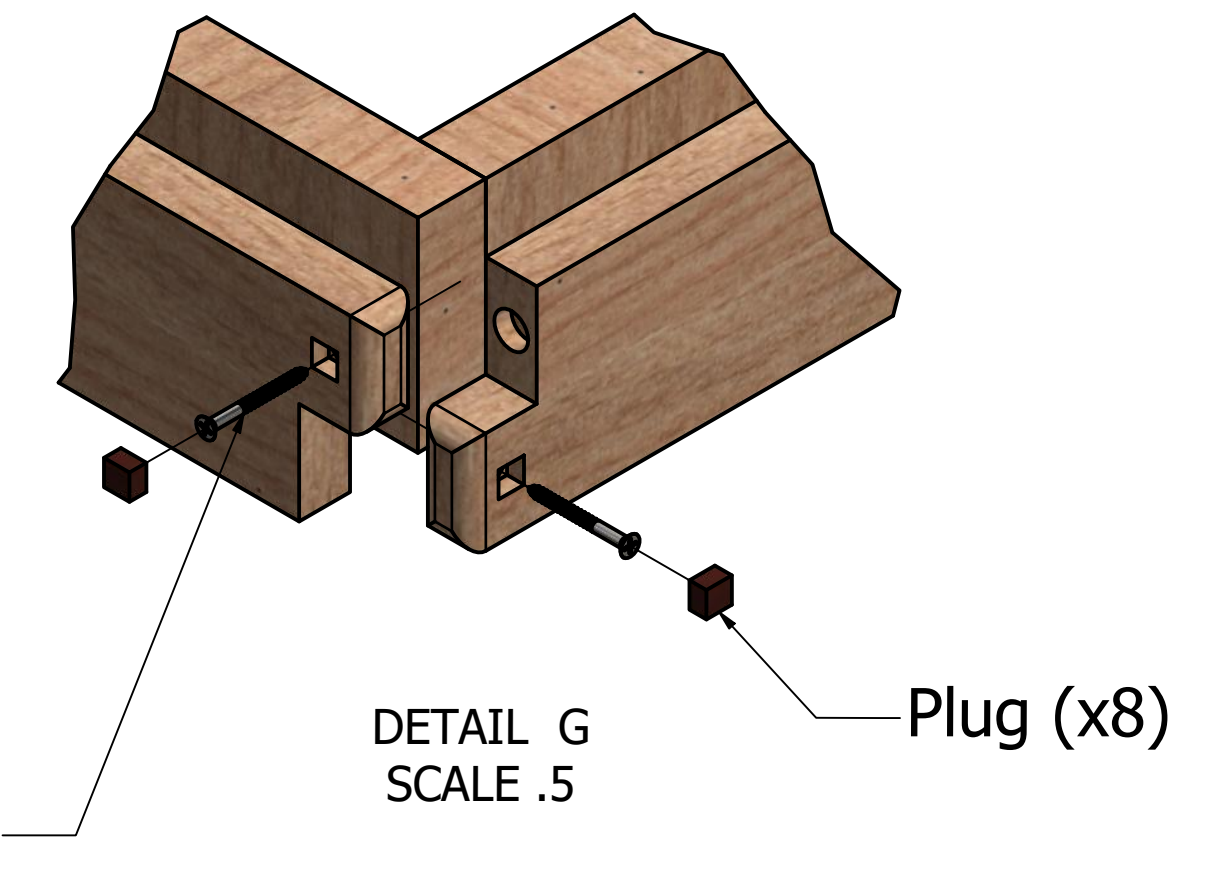
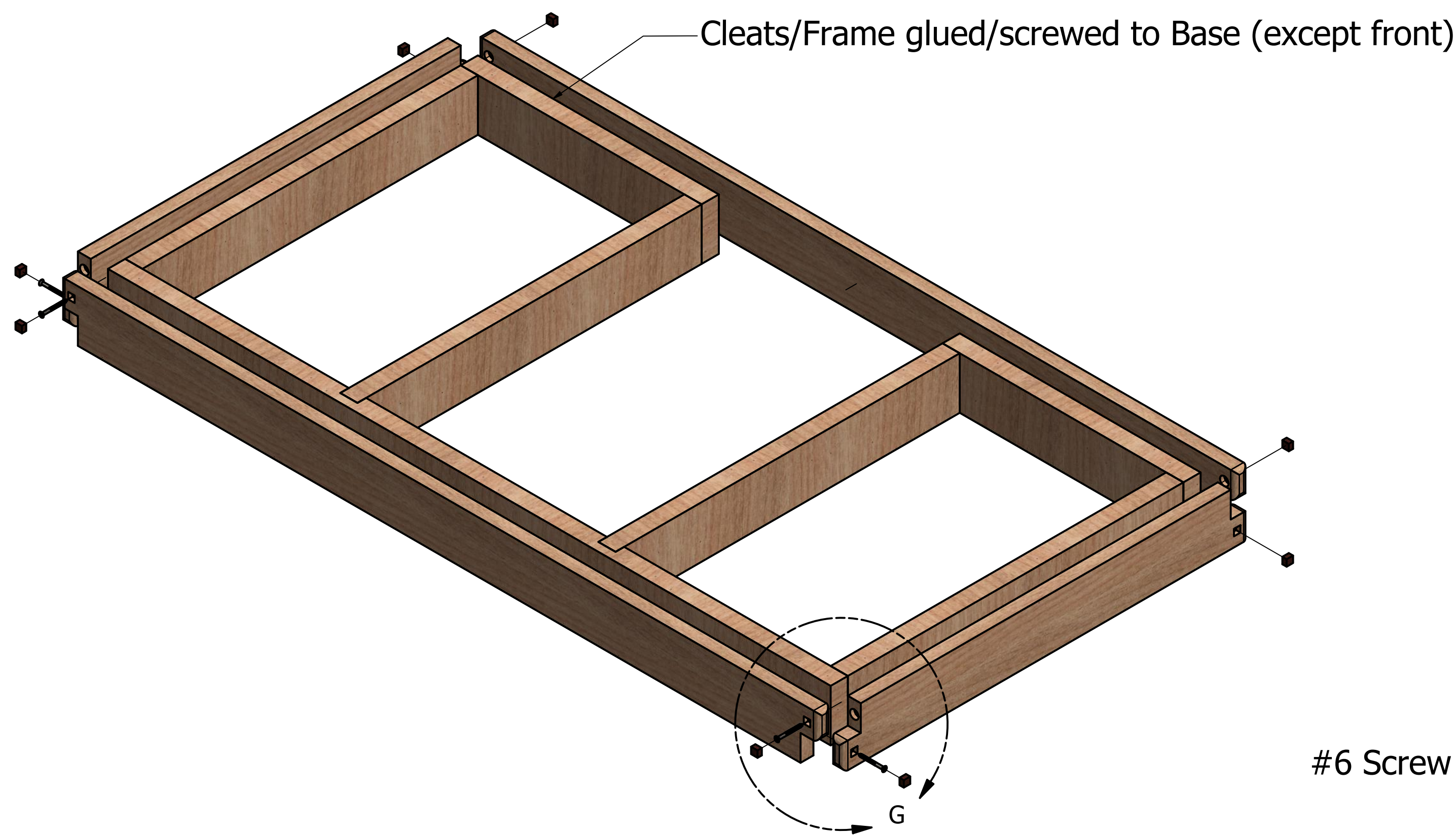
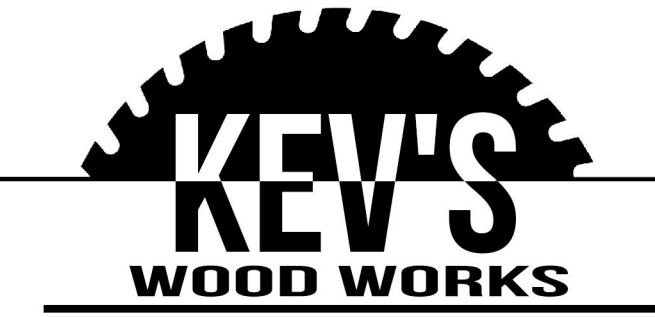
BASE PARTS

Kevin Culver	12/29/2019	https://kevswoodworks.com MyBenchTime@gmail.com		
		TITLE		
		Chest		
		SIZE	DWG NO	REV
		D	Chest_Expanded	A
		SCALE	1 / 4	SHEET 9 OF 25



BASE CLEATS / DRAWER FRAME

Kevin Culver	12/29/2019	https://kevswoodworks.com MyBenchTime@gmail.com		
		TITLE		
		Chest		
		SIZE	DWG NO	REV
		D	Chest_Expanded	A
		SCALE	1 / 4	SHEET 10 OF 25



BASE ASSY - EXPLODED

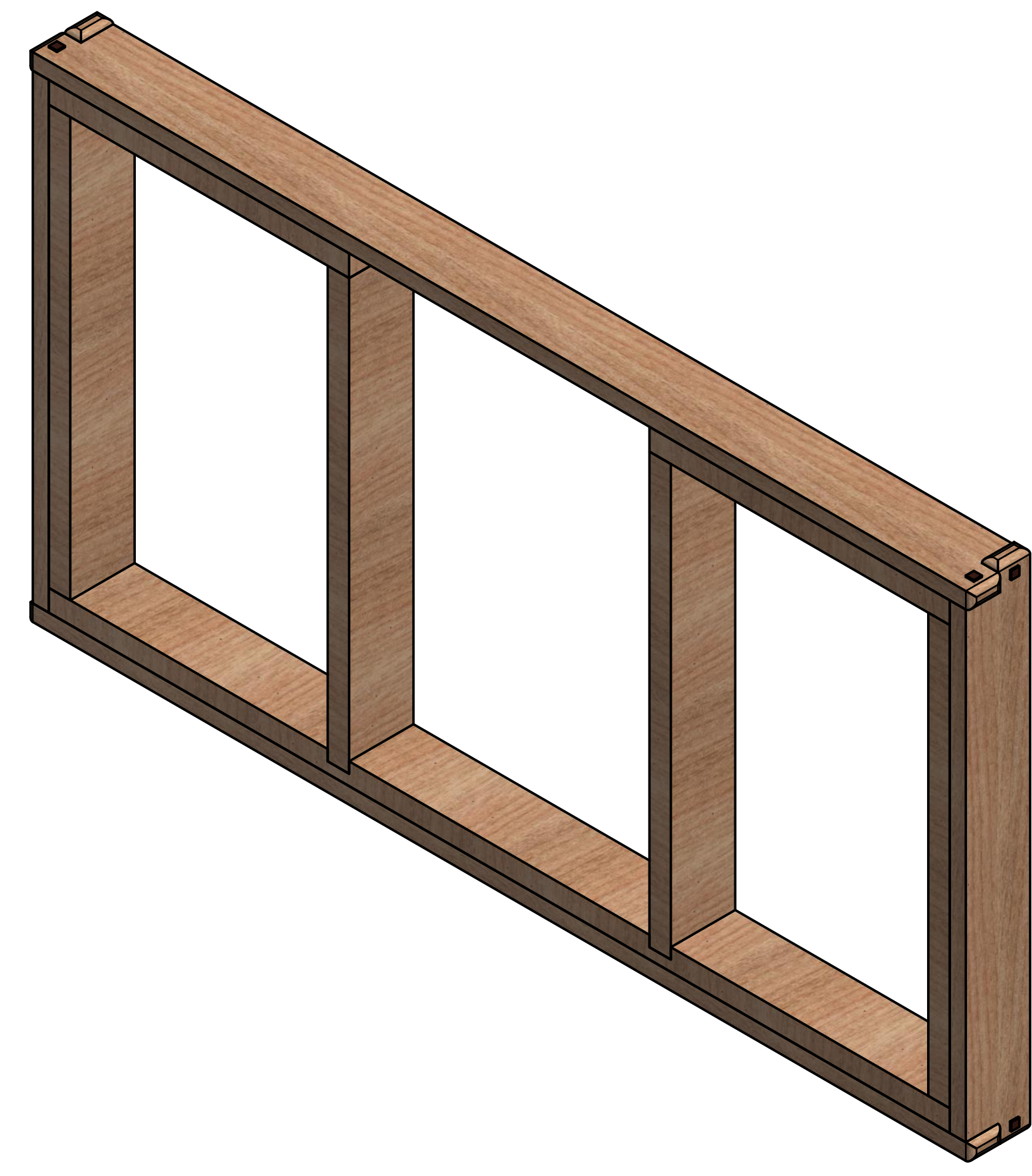
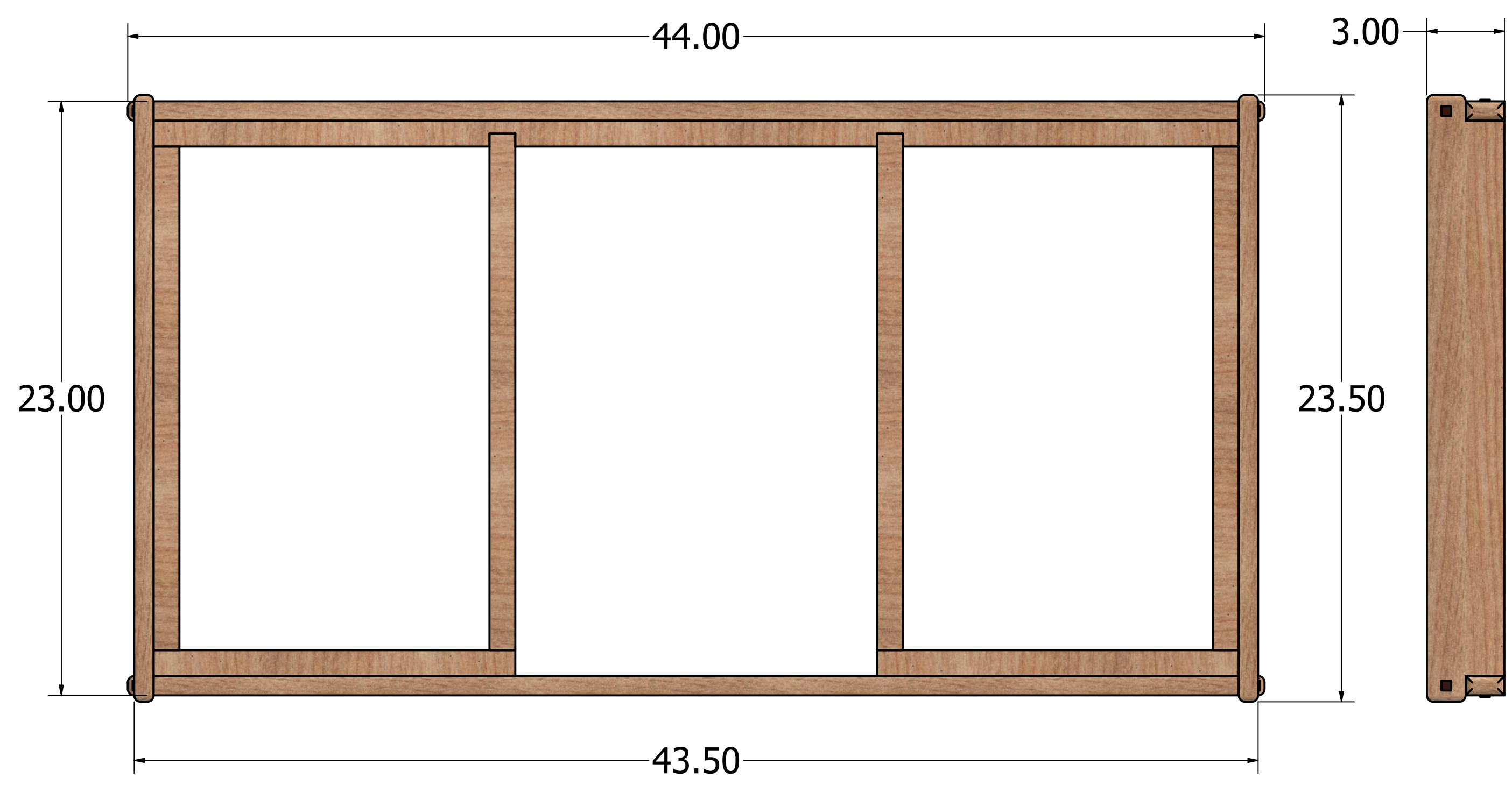
Kevin Culver	12/29/2019	https://kevswoodworks.com MyBenchTime@gmail.com		
		TITLE		
		Chest		
		SIZE	DWG NO	REV
		D	Chest_Expanded	A
		SCALE	.25	SHEET 11 OF 25



8 | 7 | 6 | 5 | 4 | 3 | 2 | 1

D

D



C

C

B

B

B

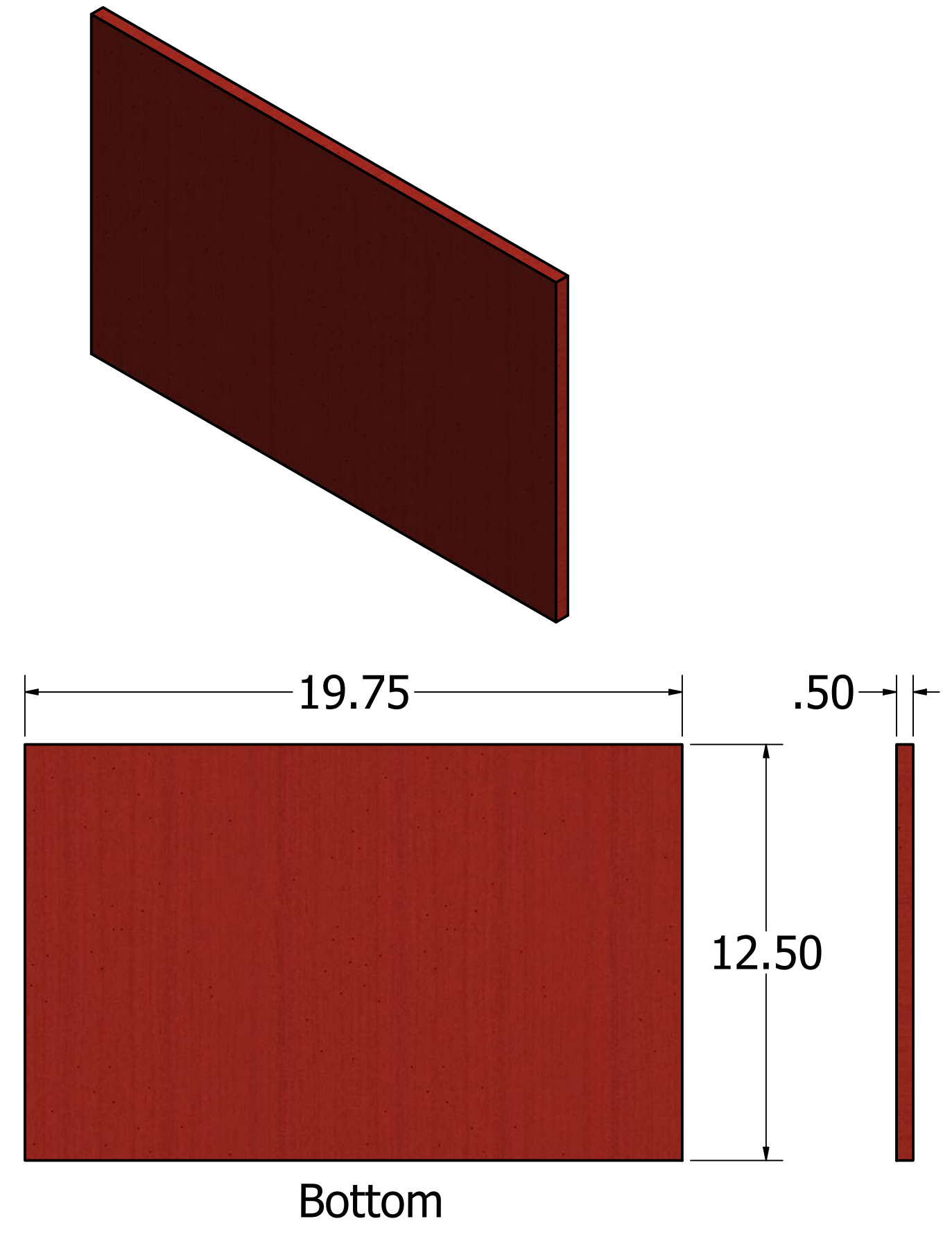
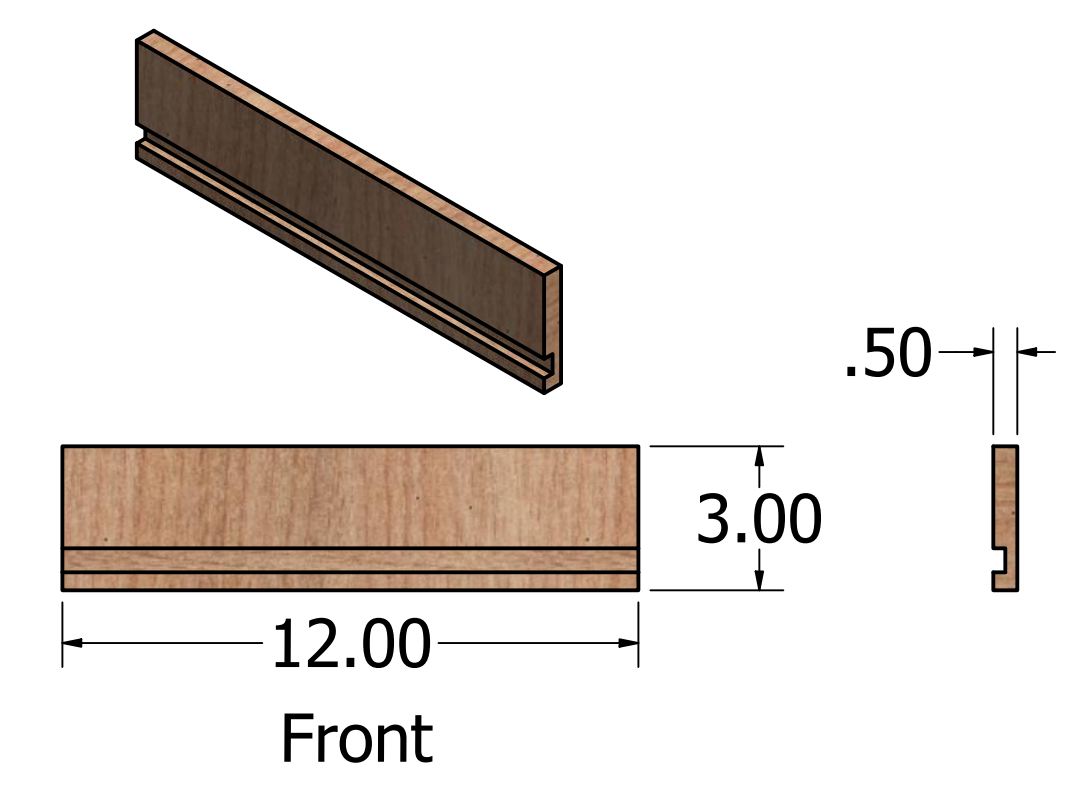
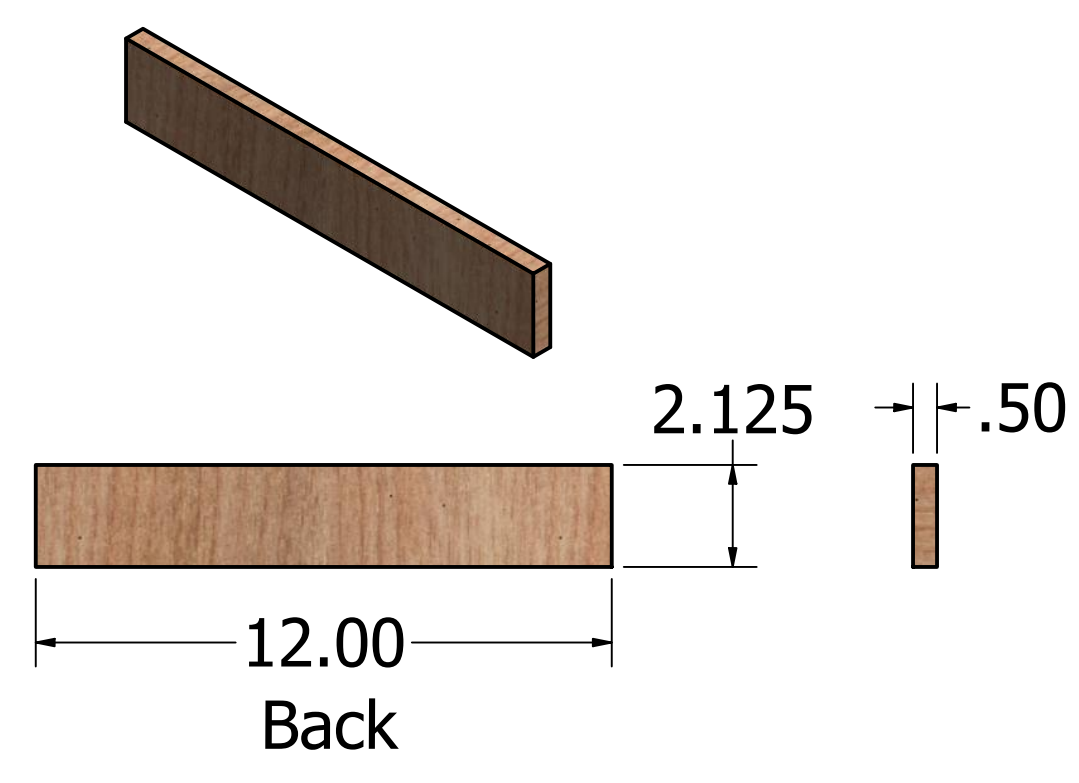
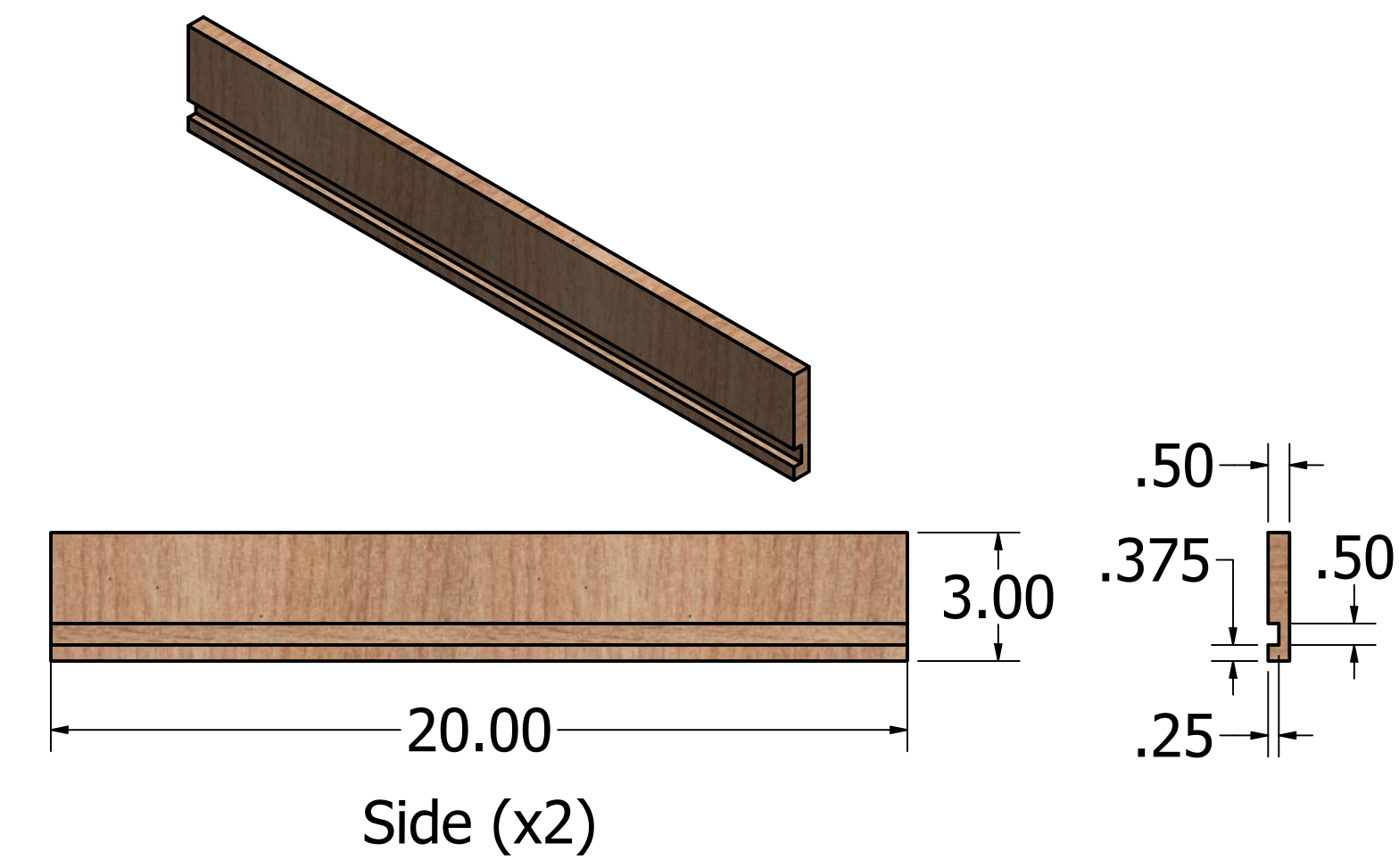
A

A

BASE ASSY

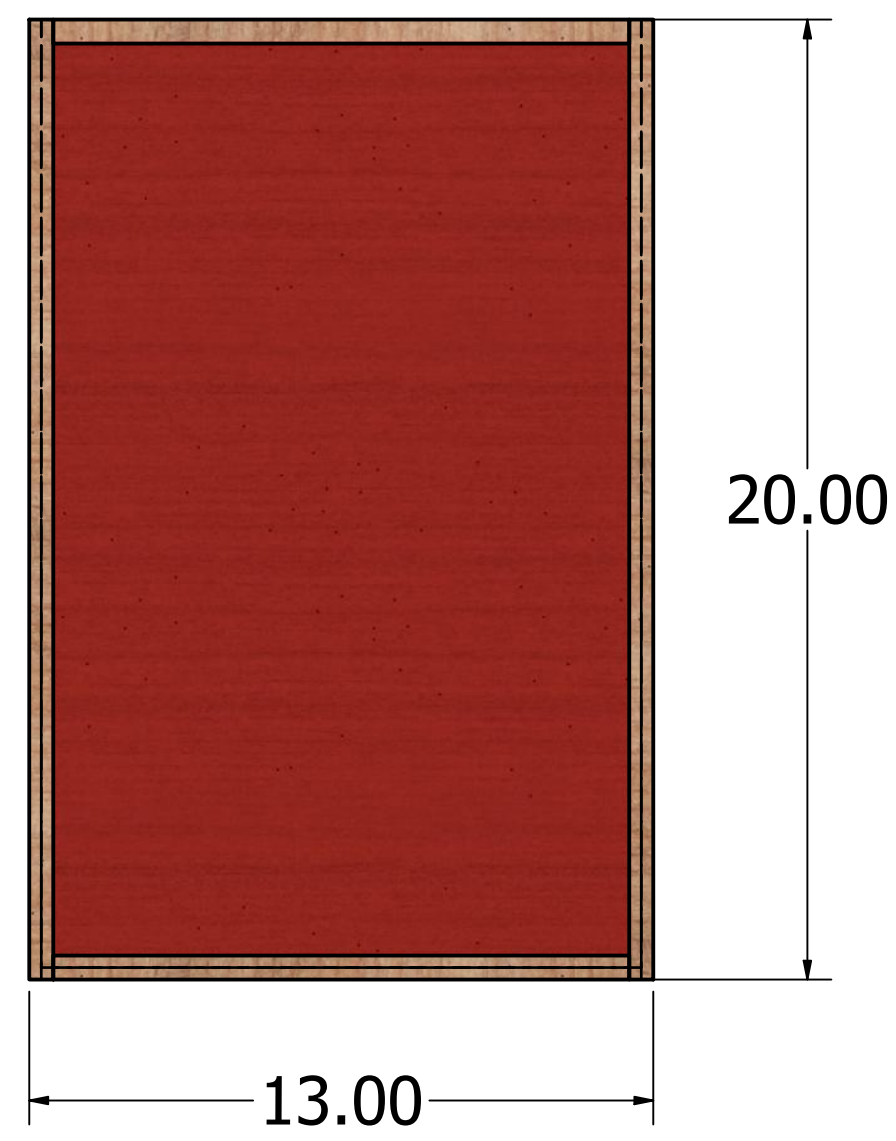
Kevin Culver	12/29/2019	https://kevswoodworks.com MyBenchTime@gmail.com		
		TITLE		
		Chest		
		SIZE	DWG NO	REV
		D	Chest_Expanded	A
		SCALE	1 / 4	SHEET 12 OF 25

8 | 7 | 6 | 5 | 4 | 3 | 2 | 1



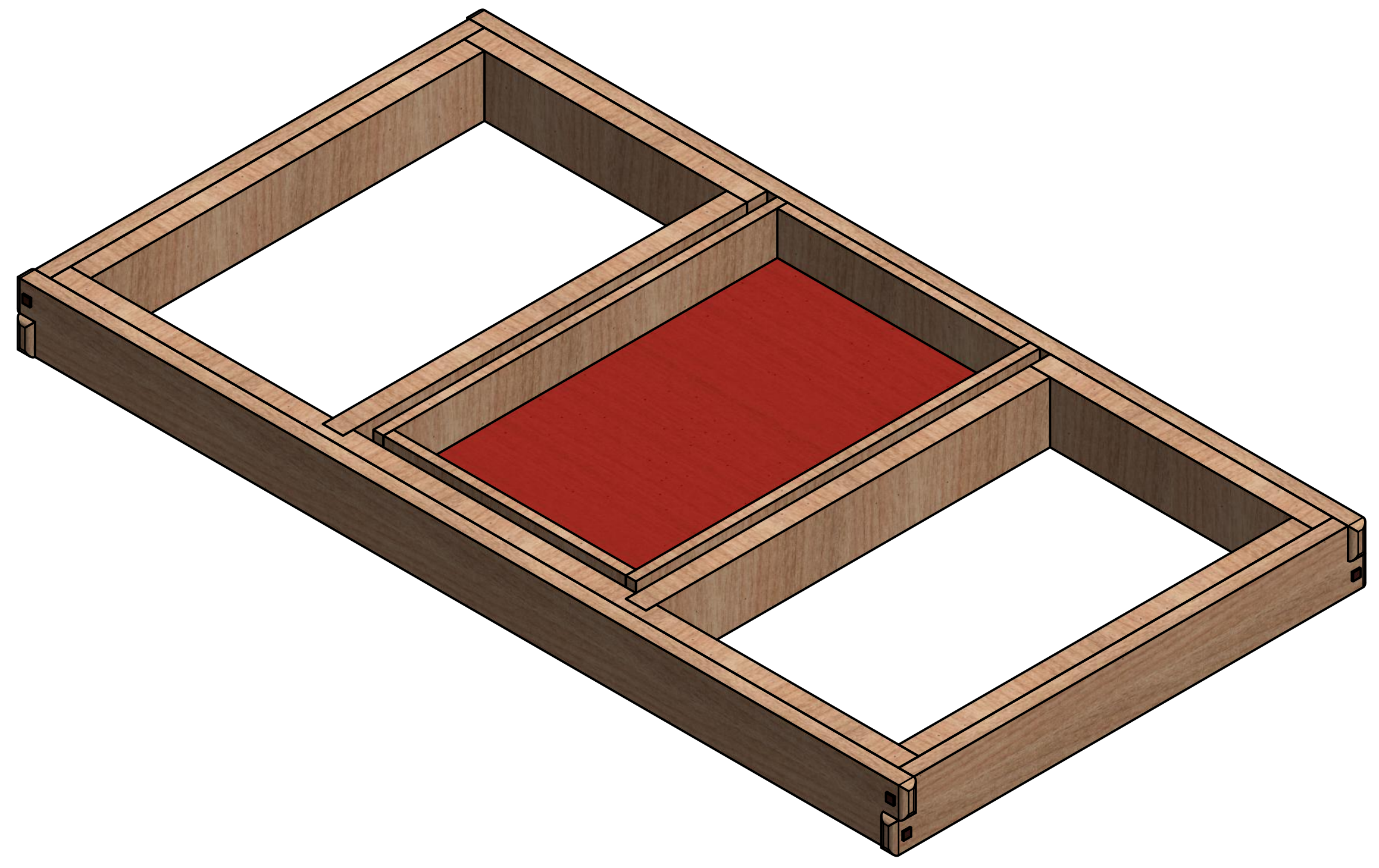
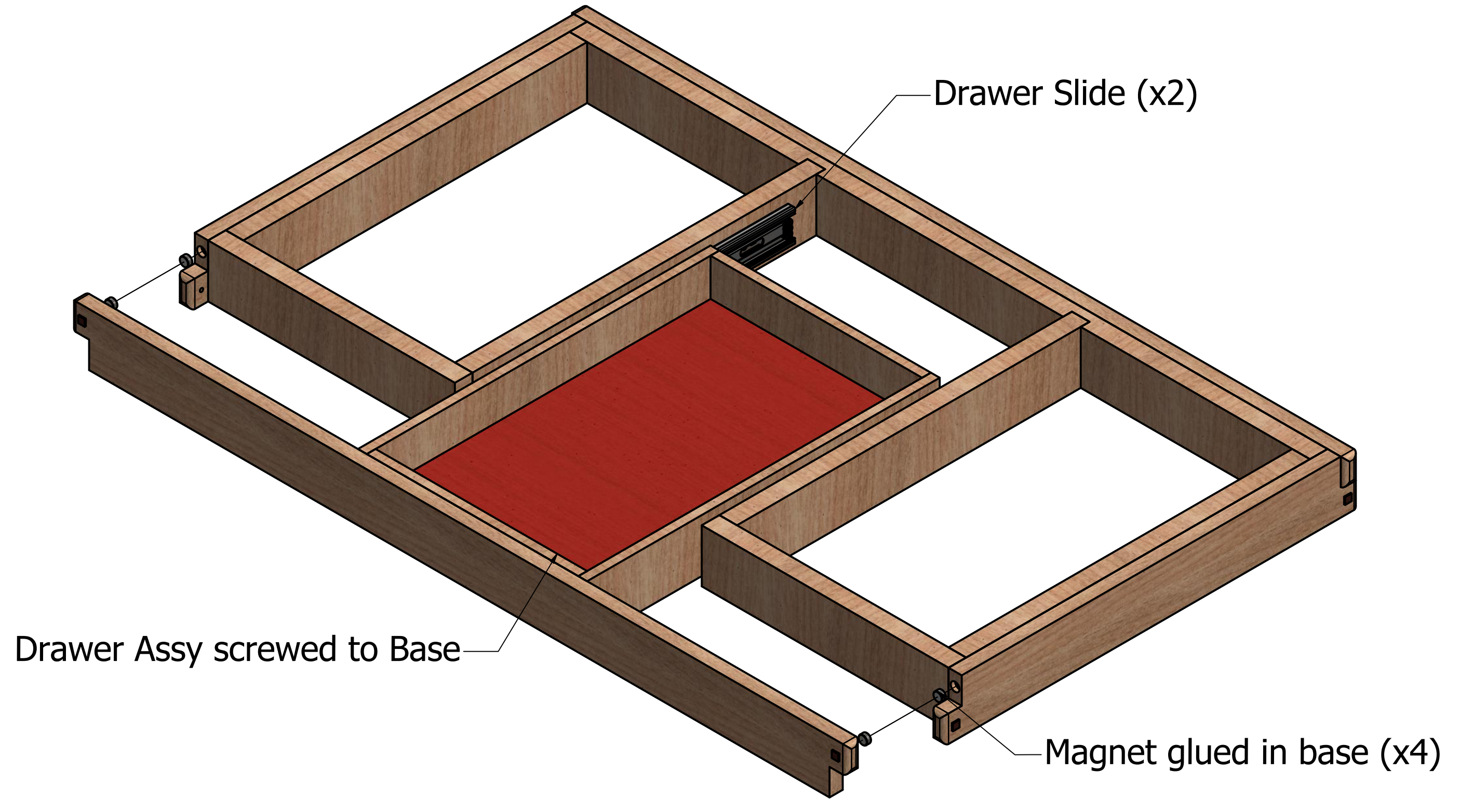
DRAWER PARTS

Kevin Culver	12/29/2019	https://kevswoodworks.com MyBenchTime@gmail.com		
		TITLE		
		Chest		
		SIZE	DWG NO	REV
		D	Chest_Expanded	A
		SCALE	1 / 4	SHEET 13 OF 25



DRAWER ASSY

Kevin Culver	12/29/2019	https://kevswoodworks.com MyBenchTime@gmail.com		
		TITLE		
		Chest		
		SIZE	DWG NO	REV
		D	Chest_Expanded	A
		SCALE	.25	SHEET 14 OF 25



8 | 7 | 6 | 5 | 4 | 3 | 2 | 1

D

D

C

C

B

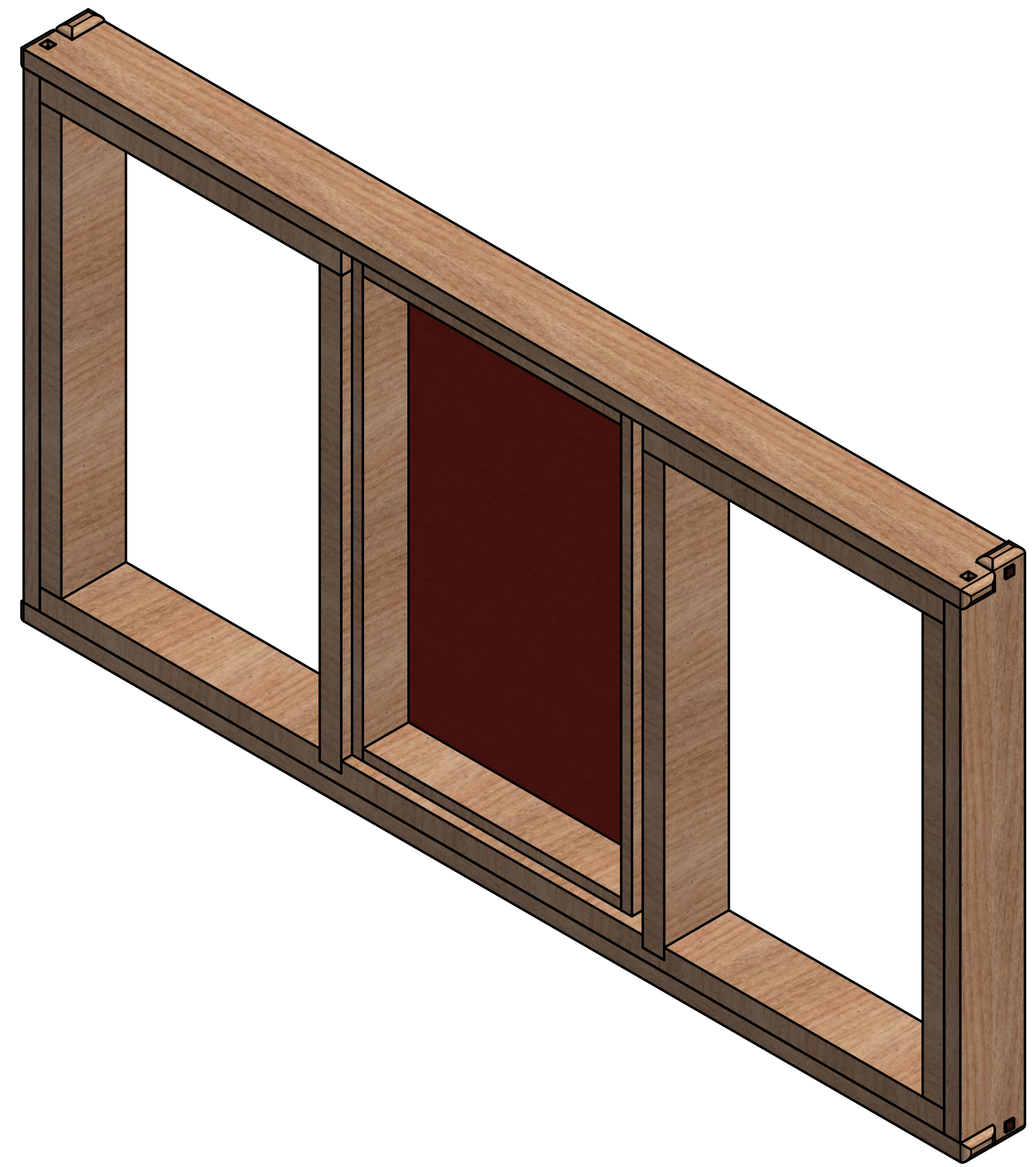
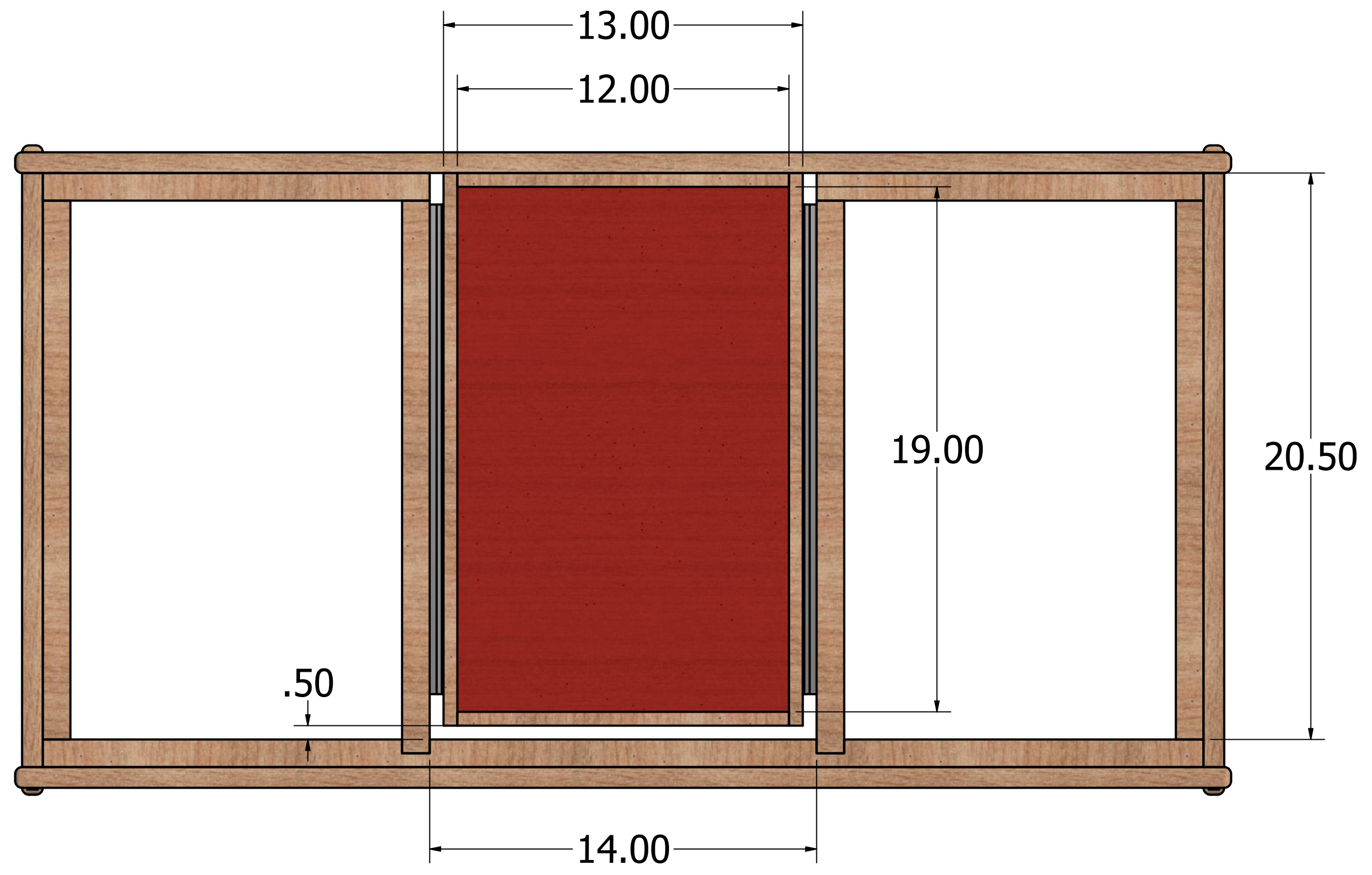
B

A

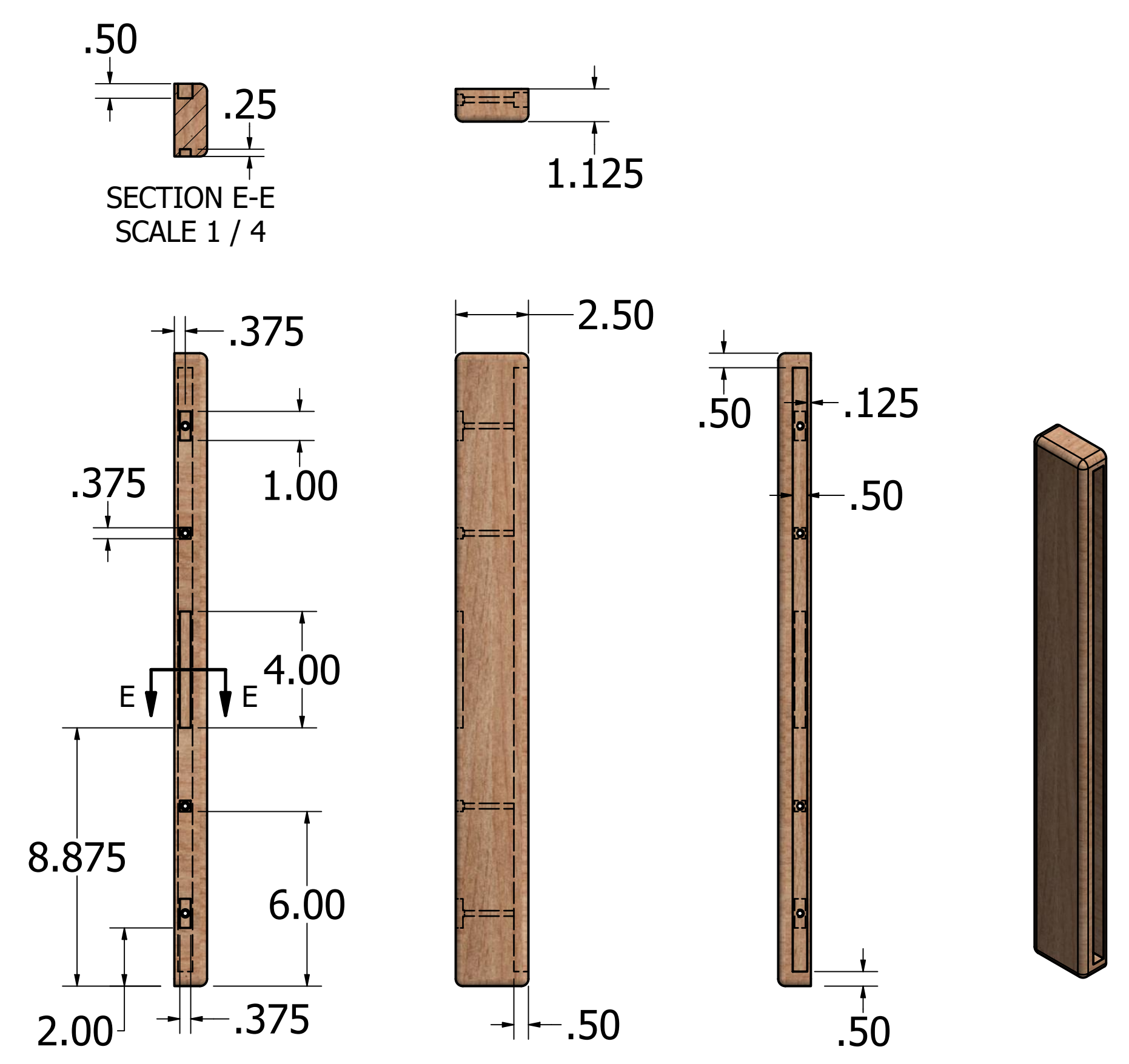
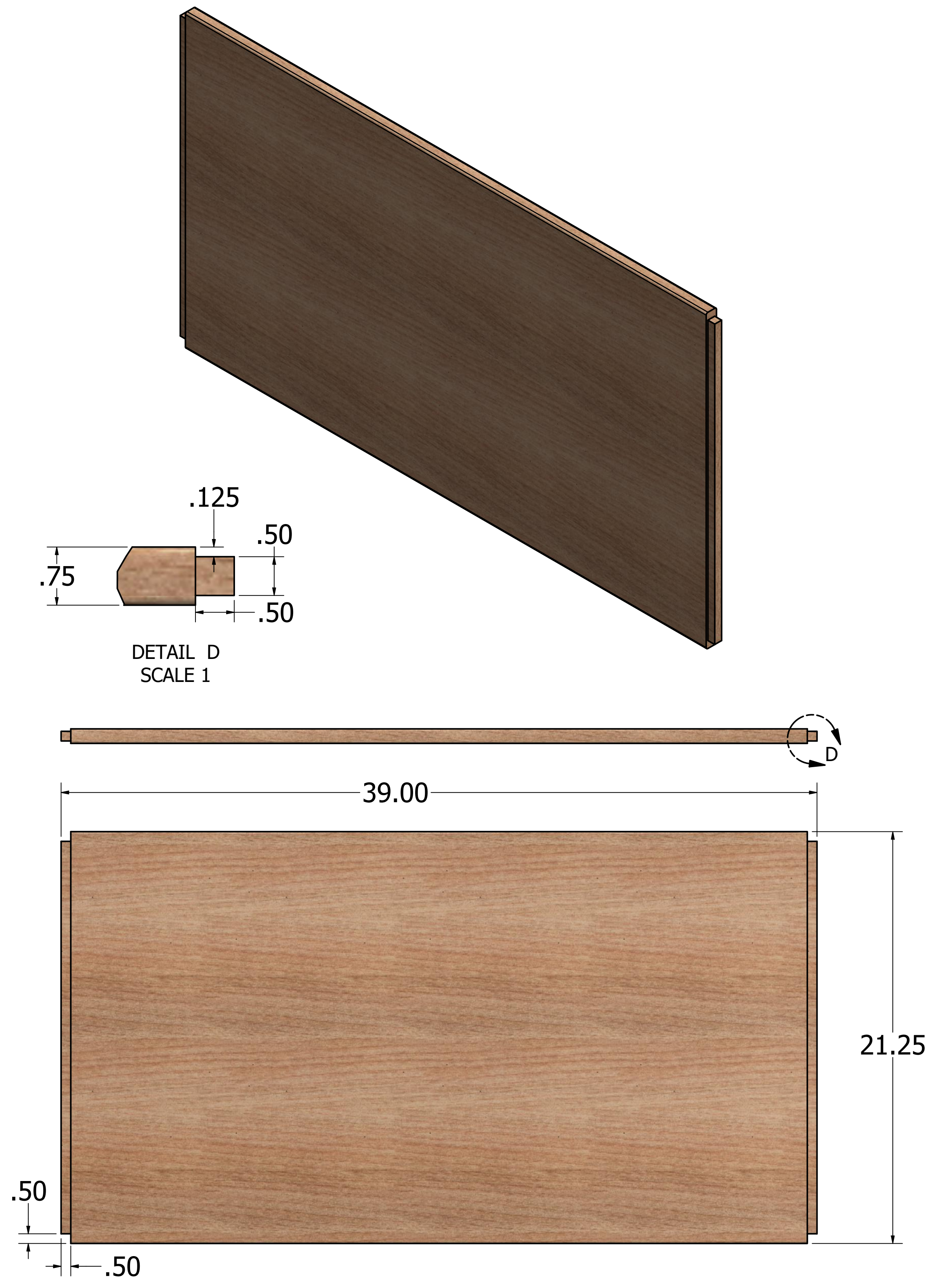
A

Kevin Culver	12/29/2019	https://kevswoodworks.com MyBenchTime@gmail.com		
		TITLE		
		Chest		
		SIZE	DWG NO	REV
		D	Chest_Expanded	A
		SCALE	.25	SHEET 15 OF 25

8 | 7 | 6 | 5 | 4 | 3 | 2 | 1

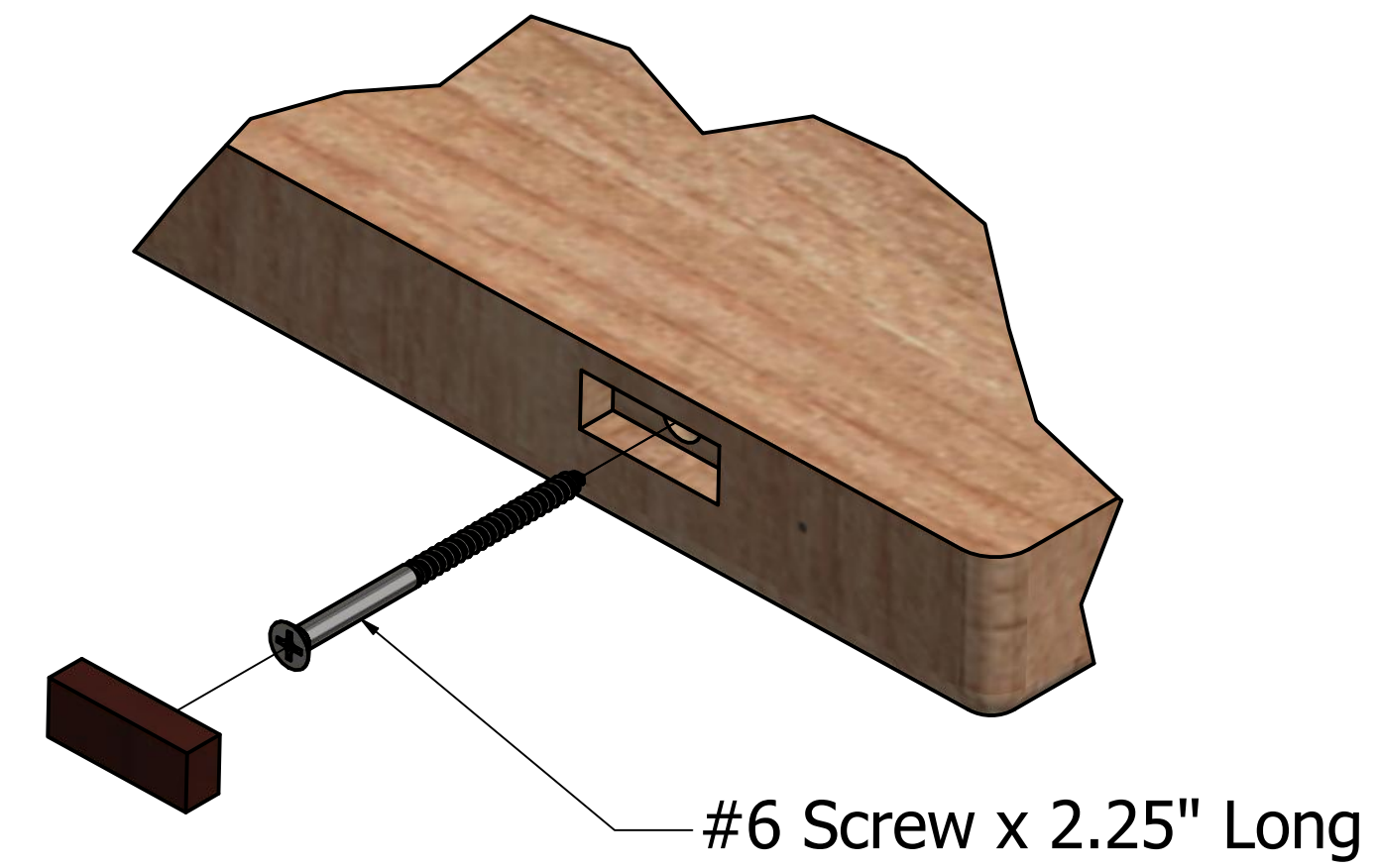


Kevin Culver	12/29/2019	https://kevswoodworks.com MyBenchTime@gmail.com		
		TITLE		
		Chest		
		SIZE	DWG NO	REV
		D	Chest_Expanded	A
		SCALE	1 / 4	SHEET 16 OF 25



LID AND BREAD BOARD ENDS

Kevin Culver	12/29/2019	https://kevswoodworks.com MyBenchTime@gmail.com		
		TITLE		
		Chest		
		SIZE	DWG NO	REV
		D	Chest_Expanded	A
		SCALE	1 / 4	SHEET 17 OF 25

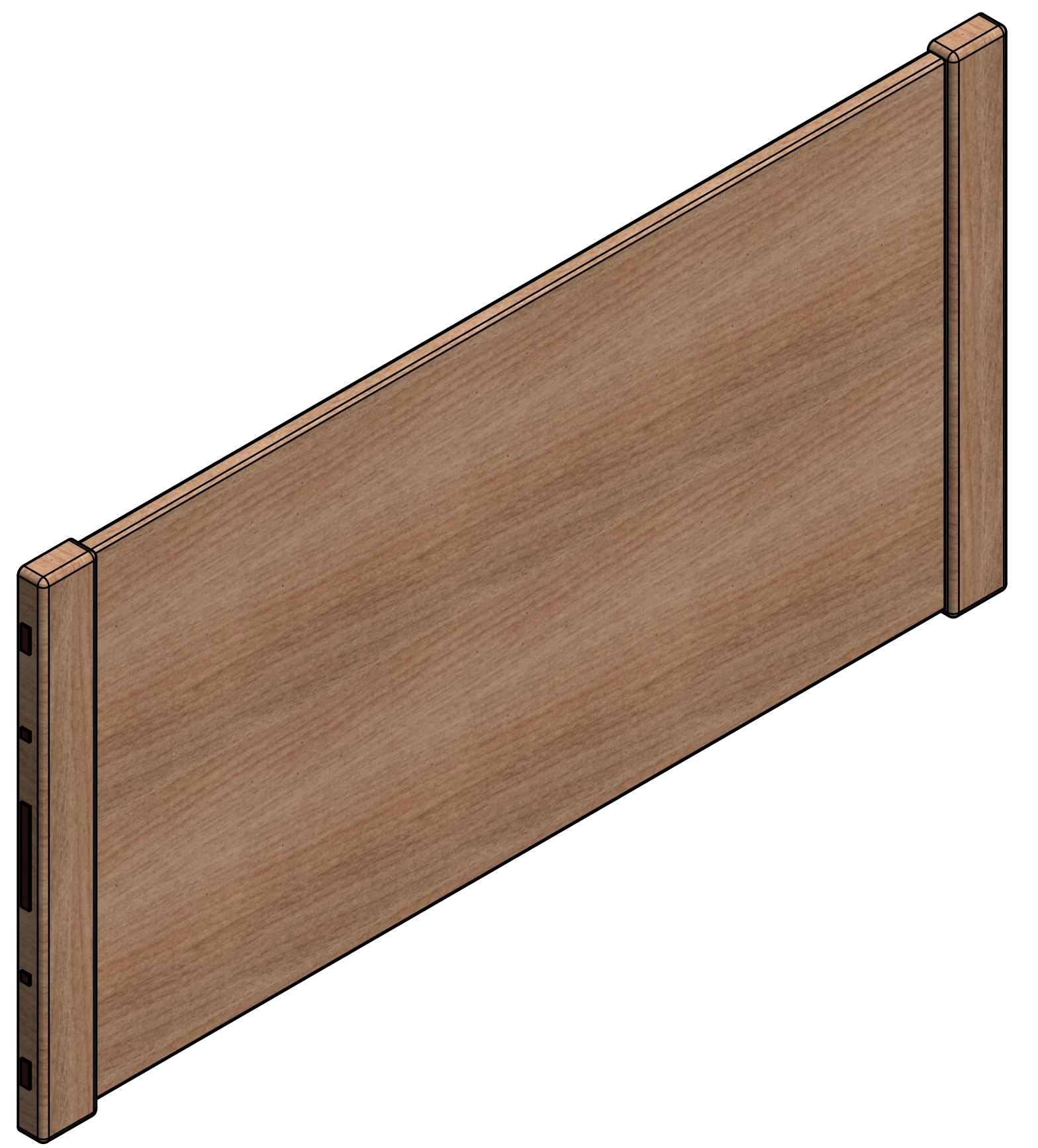


DETAIL F
SCALE 1

LID ASSY - EXPLODED

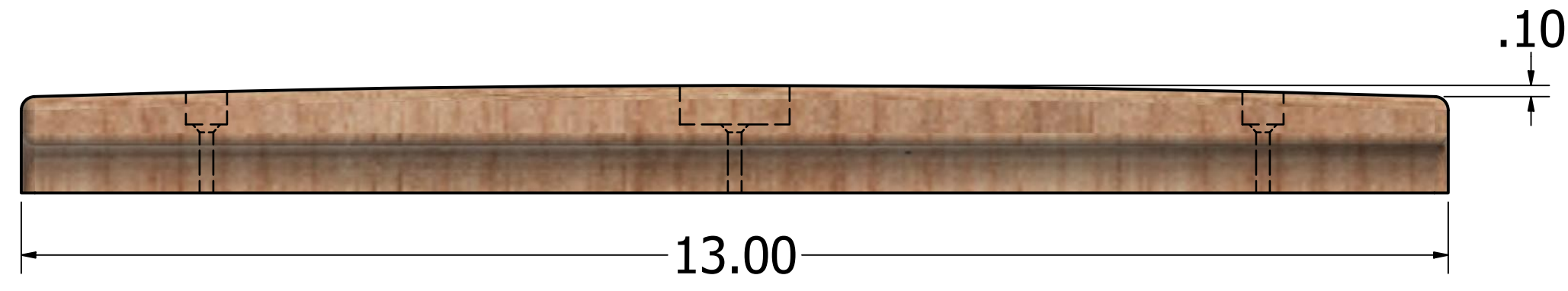
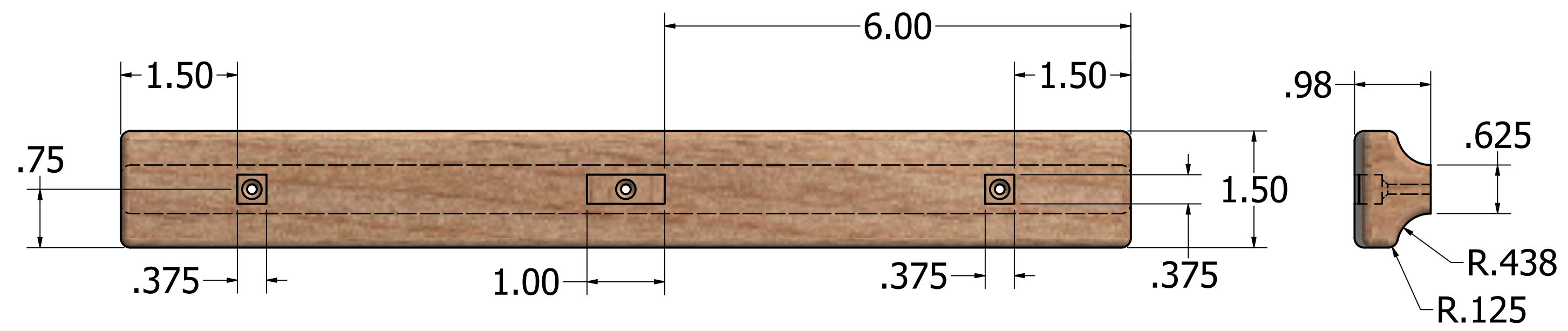
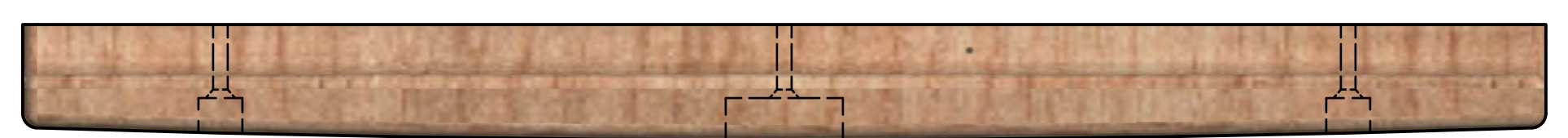
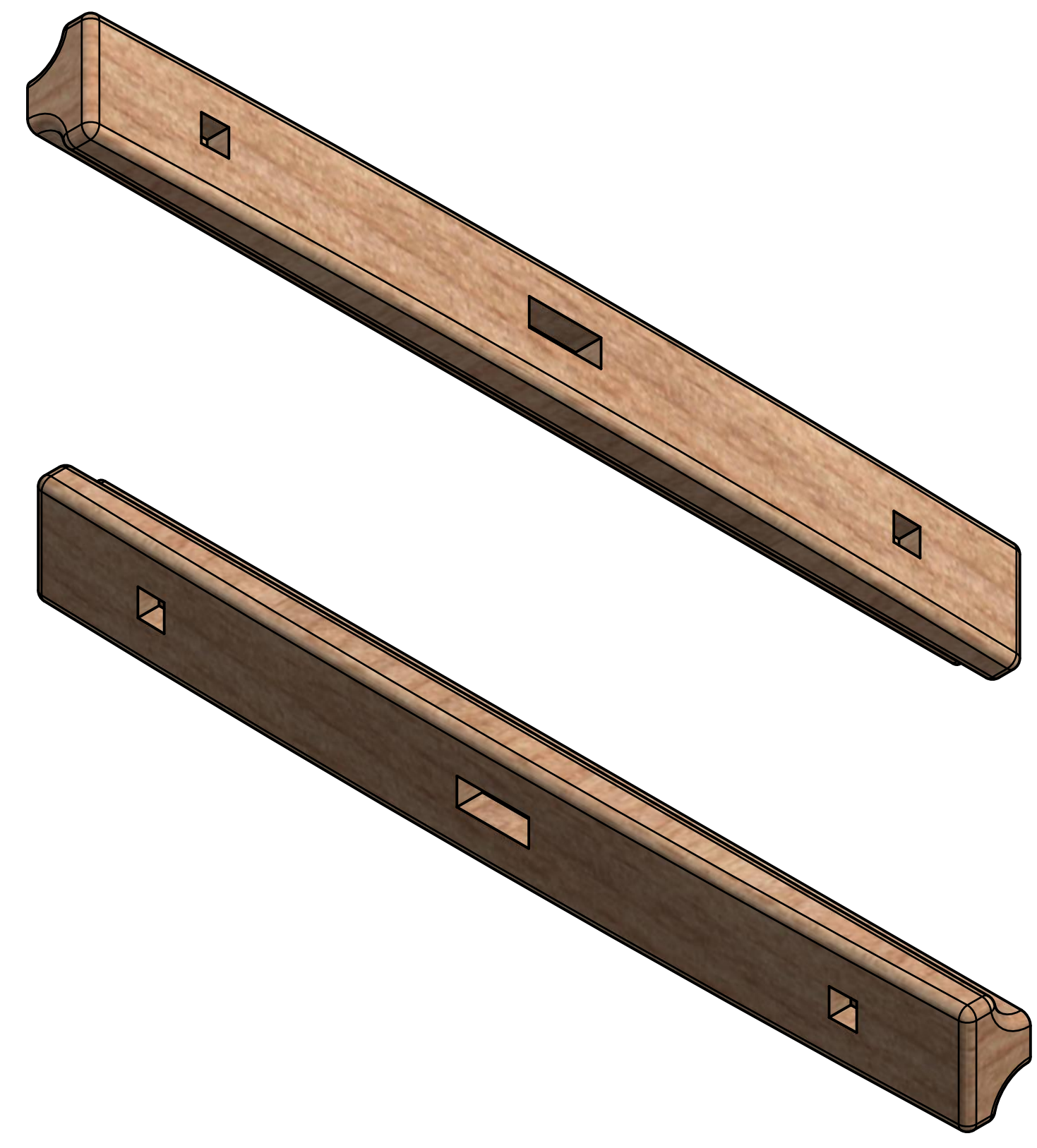
(One Side Shown)

Kevin Culver	12/29/2019	https://kevswoodworks.com MyBenchTime@gmail.com		
		TITLE		
		Chest		
		SIZE	DWG NO	REV
		D	Chest_Expanded	A
		SCALE	.375	SHEET 18 OF 25



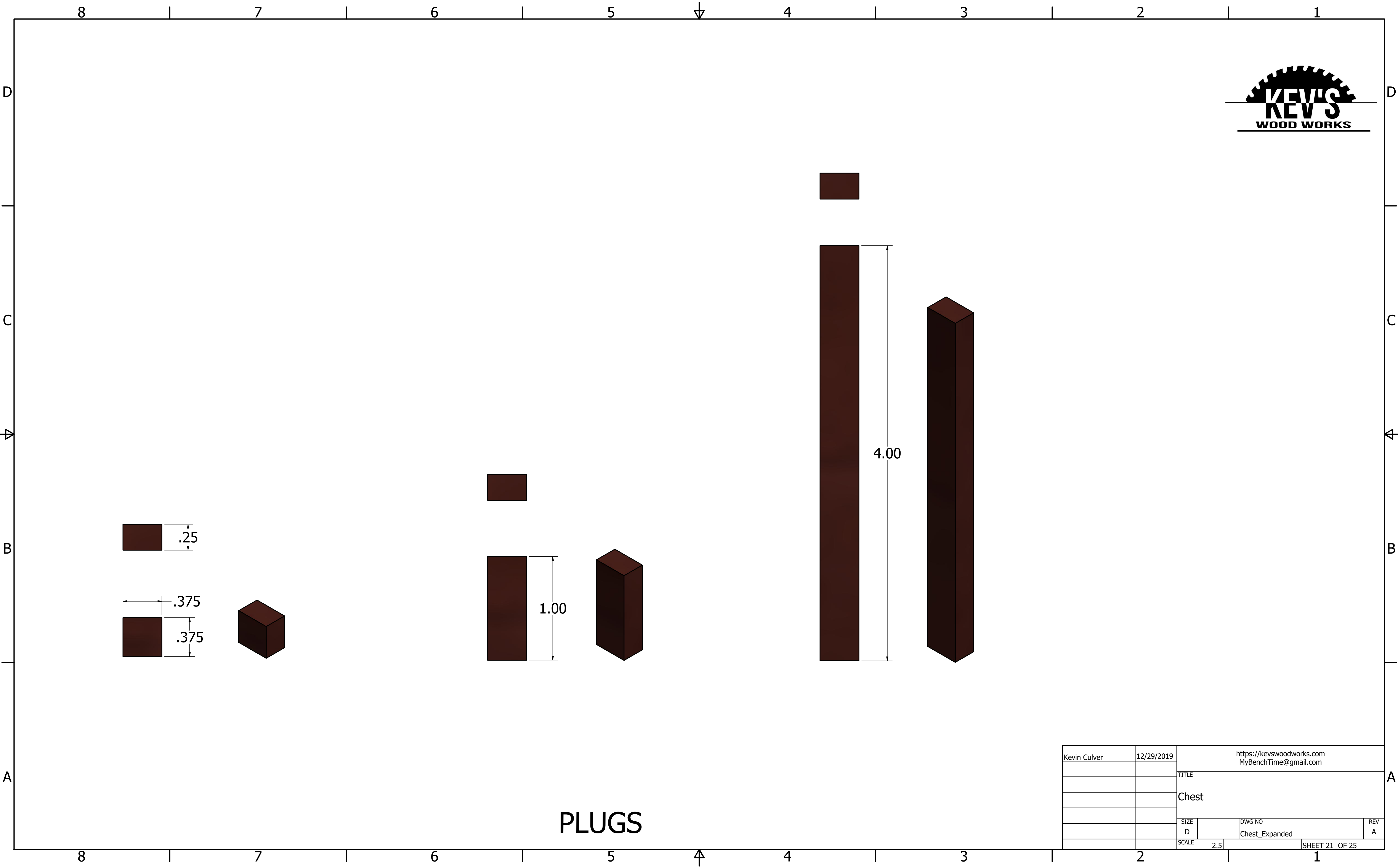
LID ASSY

Kevin Culver	12/29/2019	https://kevswoodworks.com MyBenchTime@gmail.com		
		TITLE		
		Chest		
		SIZE	DWG NO	REV
		D	Chest_Expanded	A
		SCALE	1 / 4	SHEET 19 OF 25



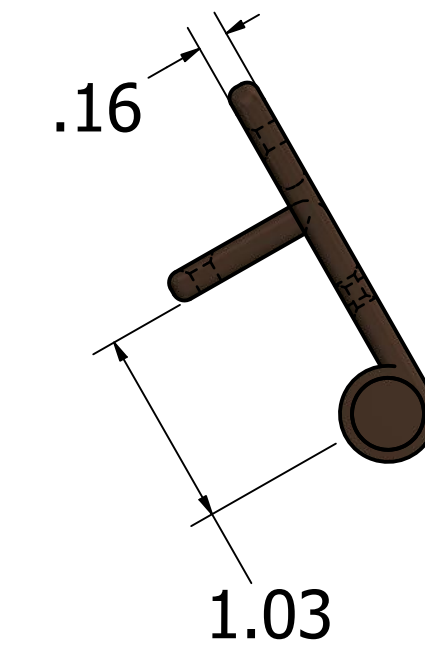
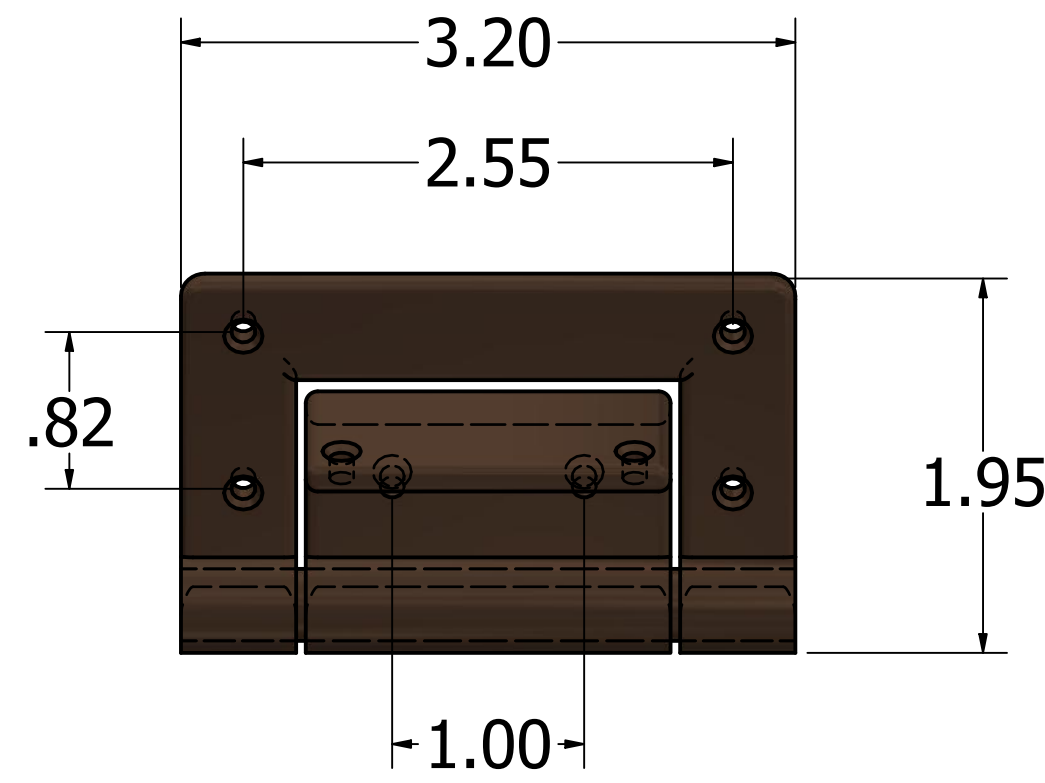
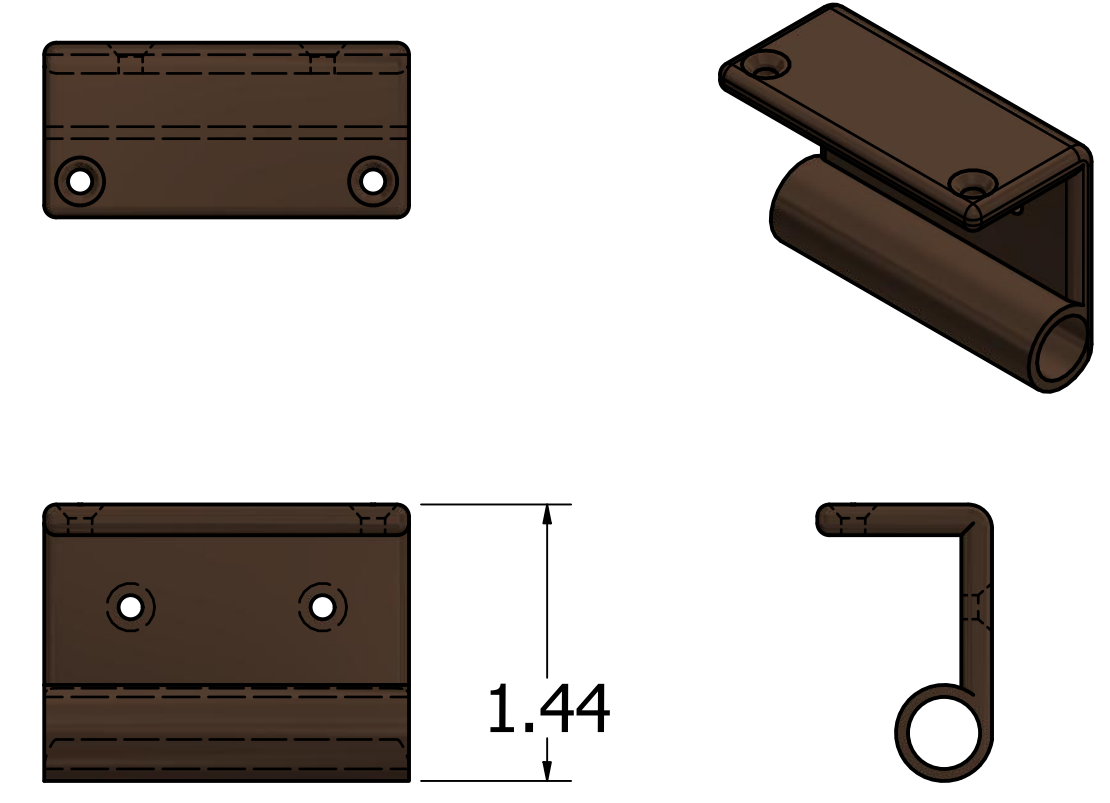
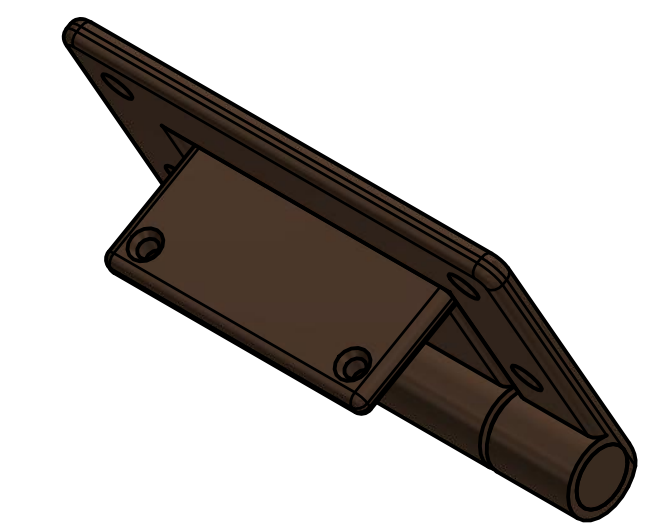
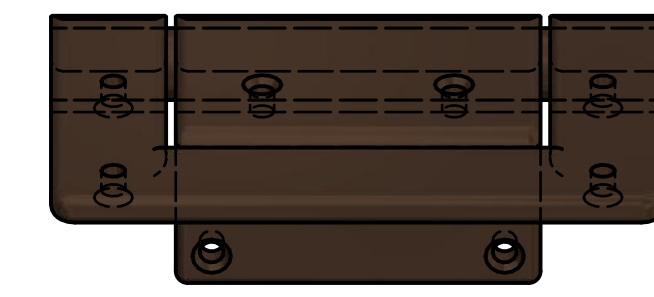
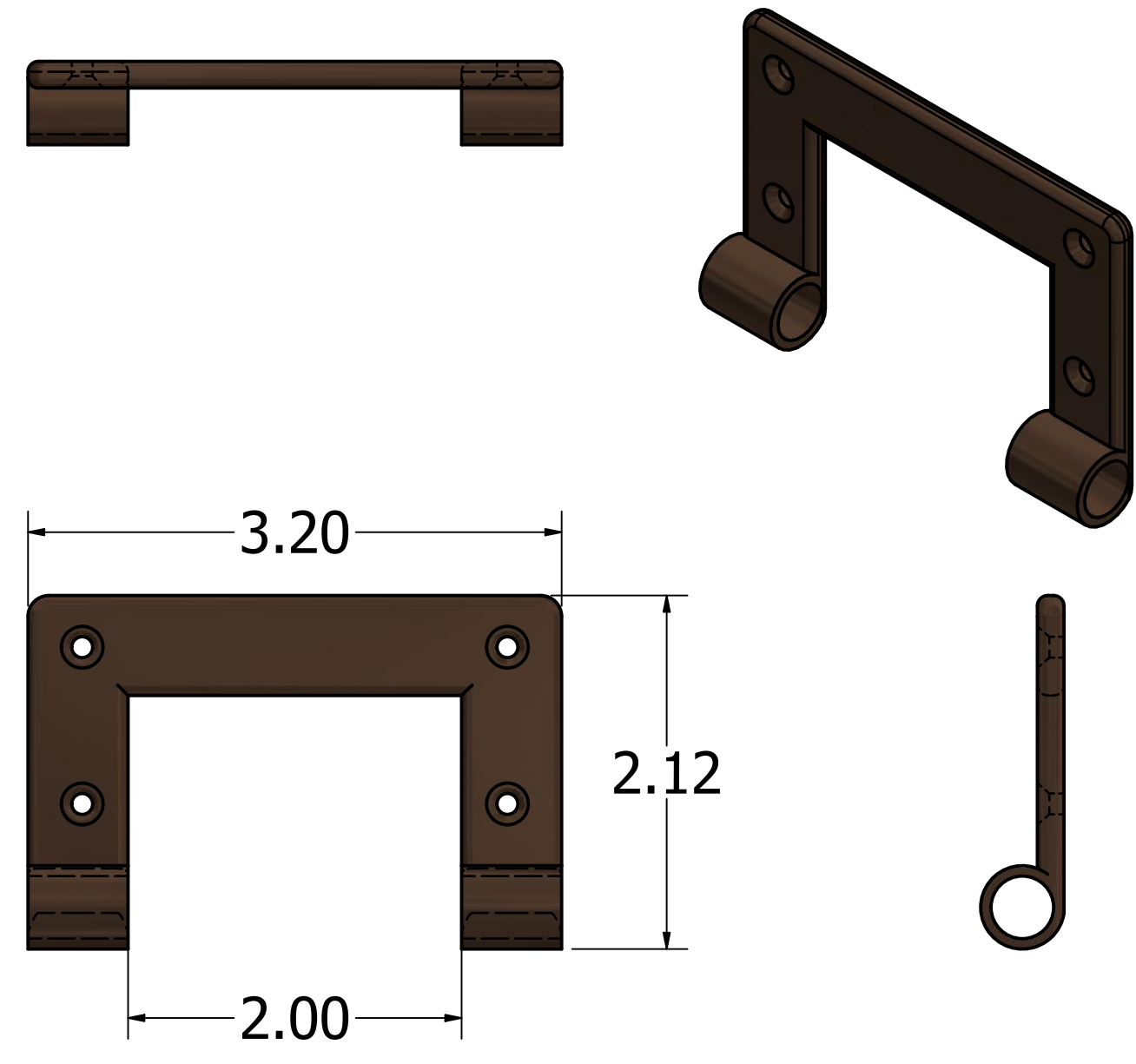
HANDLE

Kevin Culver	12/29/2019	https://kevswoodworks.com MyBenchTime@gmail.com		
		TITLE		
		Chest		
		SIZE	DWG NO	REV
		D	Chest_Expanded	A
		SCALE	.75	SHEET 20 OF 25



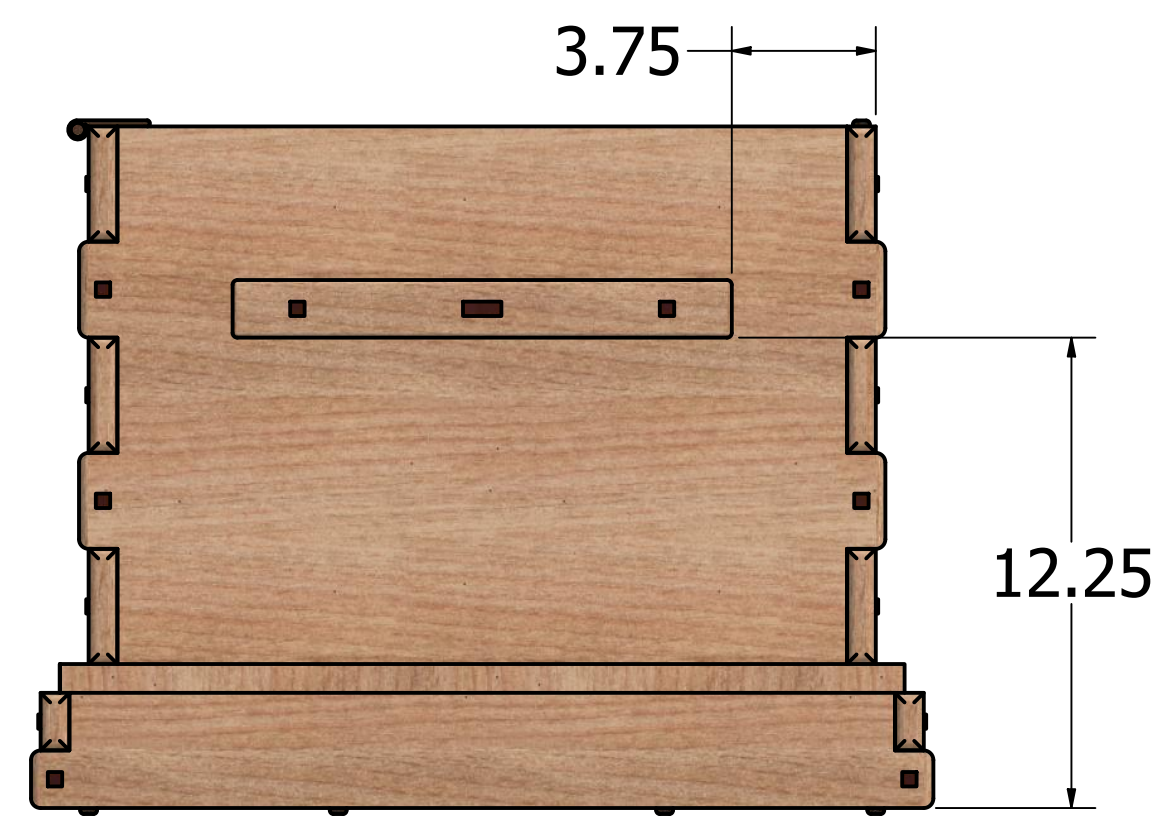
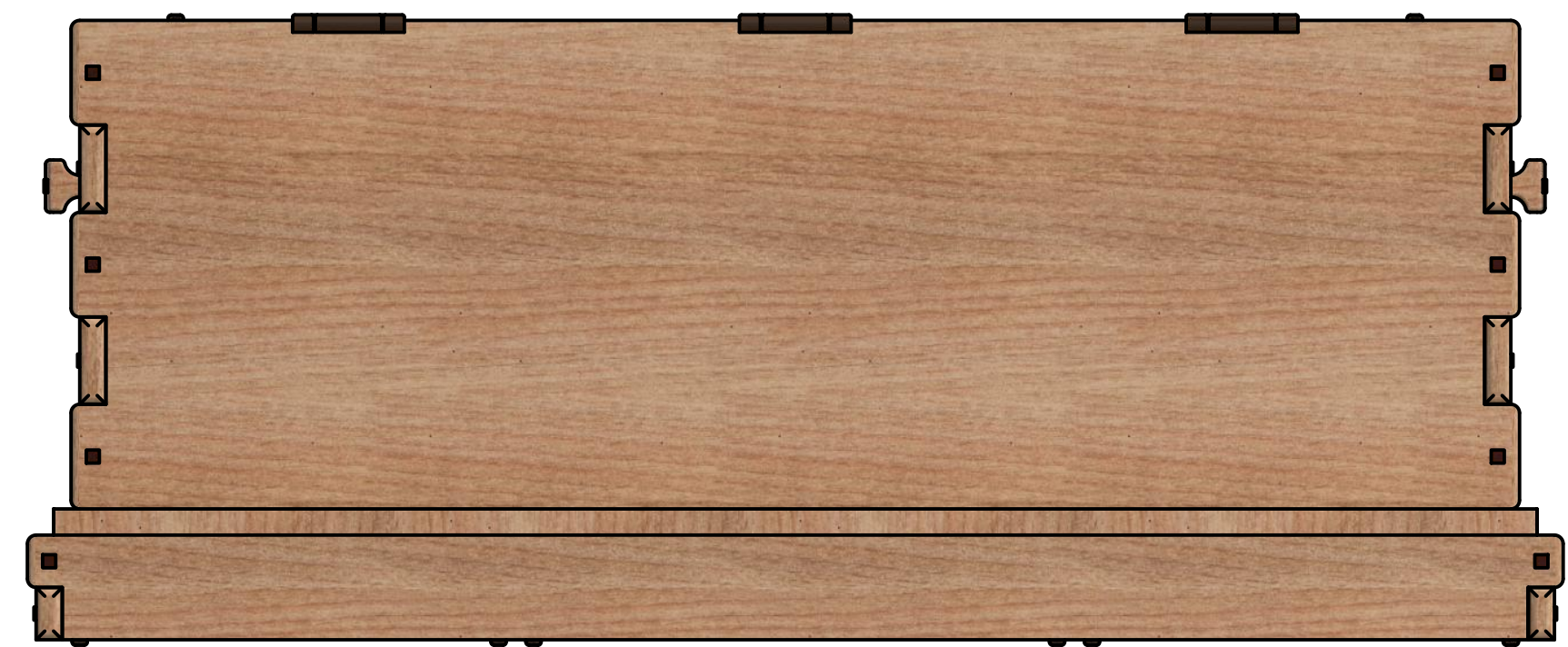
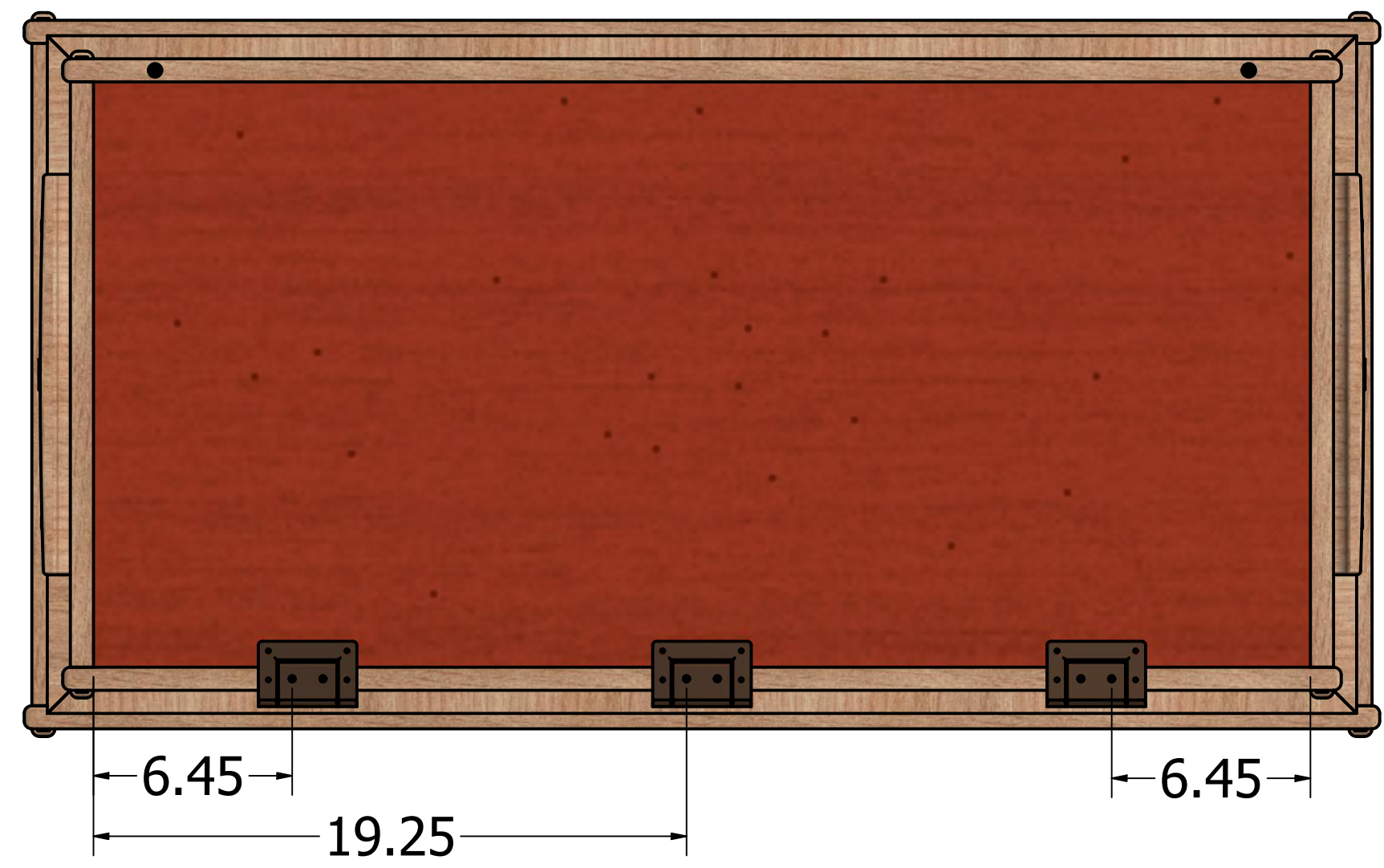
PLUGS

Kevin Culver	12/29/2019	https://kevswoodworks.com MyBenchTime@gmail.com		
		TITLE		
		Chest		
		SIZE	DWG NO	REV
		D	Chest_Expanded	A
		SCALE	2.5	SHEET 21 OF 25



Rockler 60 inch-pound Lid-Stay Torsion Hinge, Rustic Bronze

Kevin Culver	12/29/2019	https://kevswoodworks.com MyBenchTime@gmail.com		
		TITLE		
		Chest		
		SIZE	DWG NO	REV
		D	Chest_Expanded	A
		SCALE	1	SHEET 22 OF 25



HANDLES AND HINGES

Kevin Culver	12/29/2019	https://kevswoodworks.com MyBenchTime@gmail.com		
		TITLE		
		Chest		
		SIZE	DWG NO	REV
		D	Chest_Expanded	A
		SCALE	.2	SHEET 23 OF 25



Bumper/Screw (x12)



DETAIL J
SCALE 1

Kevin Culver	12/29/2019	https://kevswoodworks.com MyBenchTime@gmail.com		
		TITLE		
		Chest		
		SIZE	DWG NO	REV
		D	Chest_Expanded	A
		SCALE	.25	SHEET 24 OF 25

8 7 6 5 4 3 2 1



RENDERS

Kevin Culver	12/29/2019	https://kevswoodworks.com MyBenchTime@gmail.com		
		TITLE		
		Chest		
		SIZE	DWG NO	REV
		D	Chest_Expanded	A
		SCALE	SHEET 25 OF 25	

8 7 6 5 4 4 3 2 1