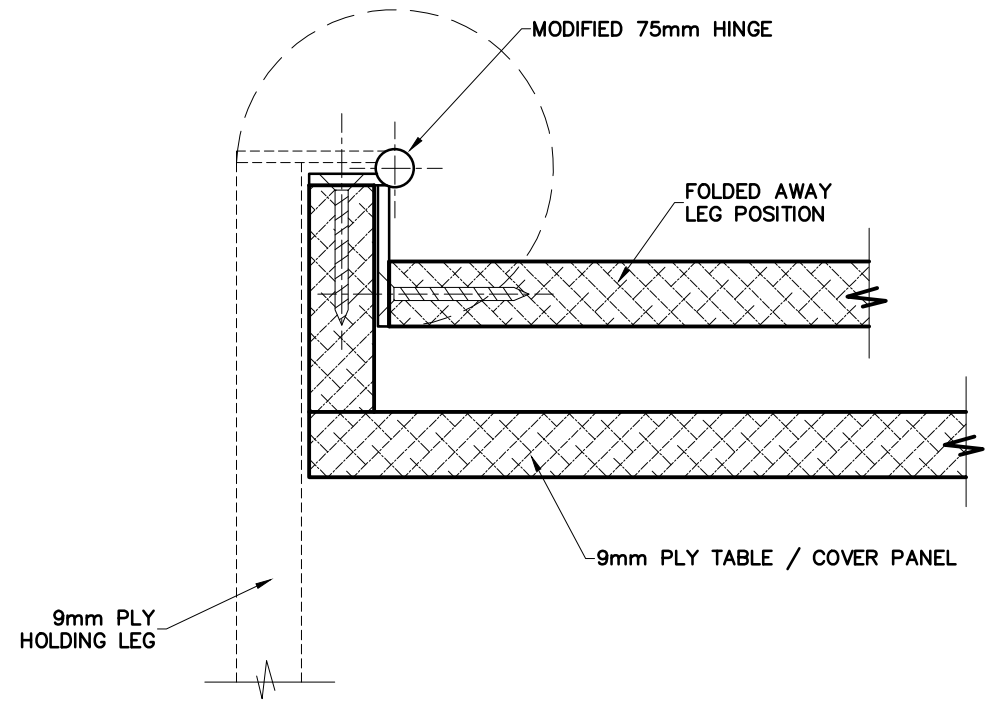
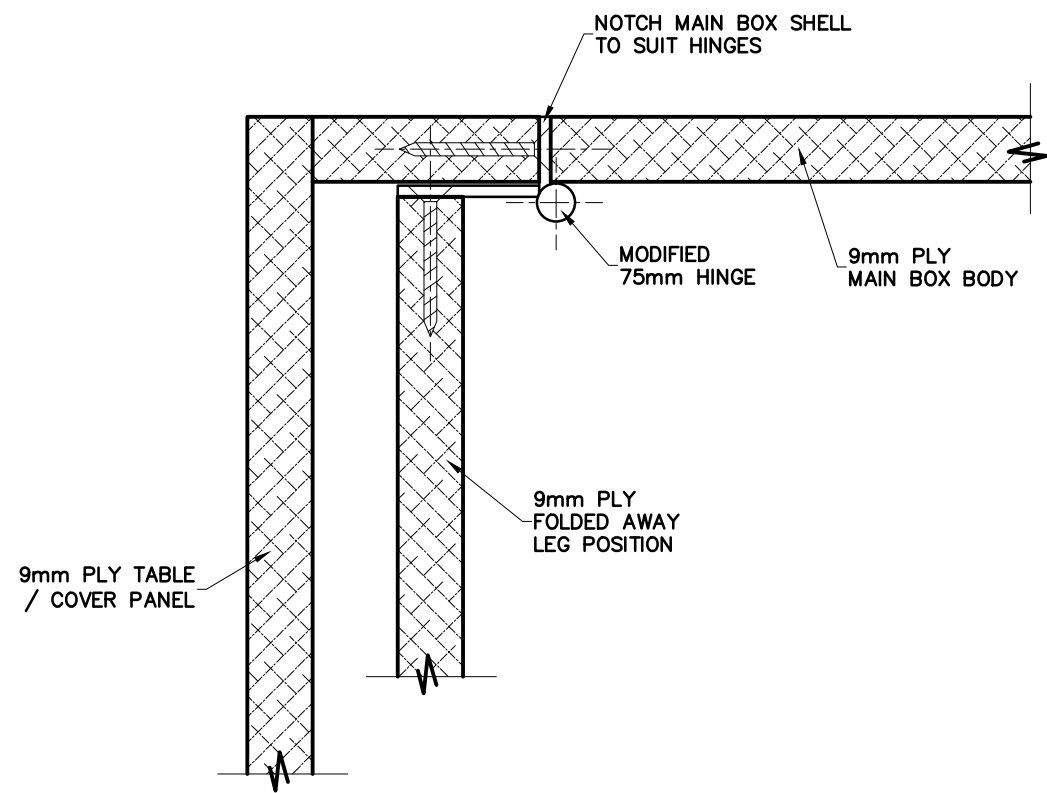


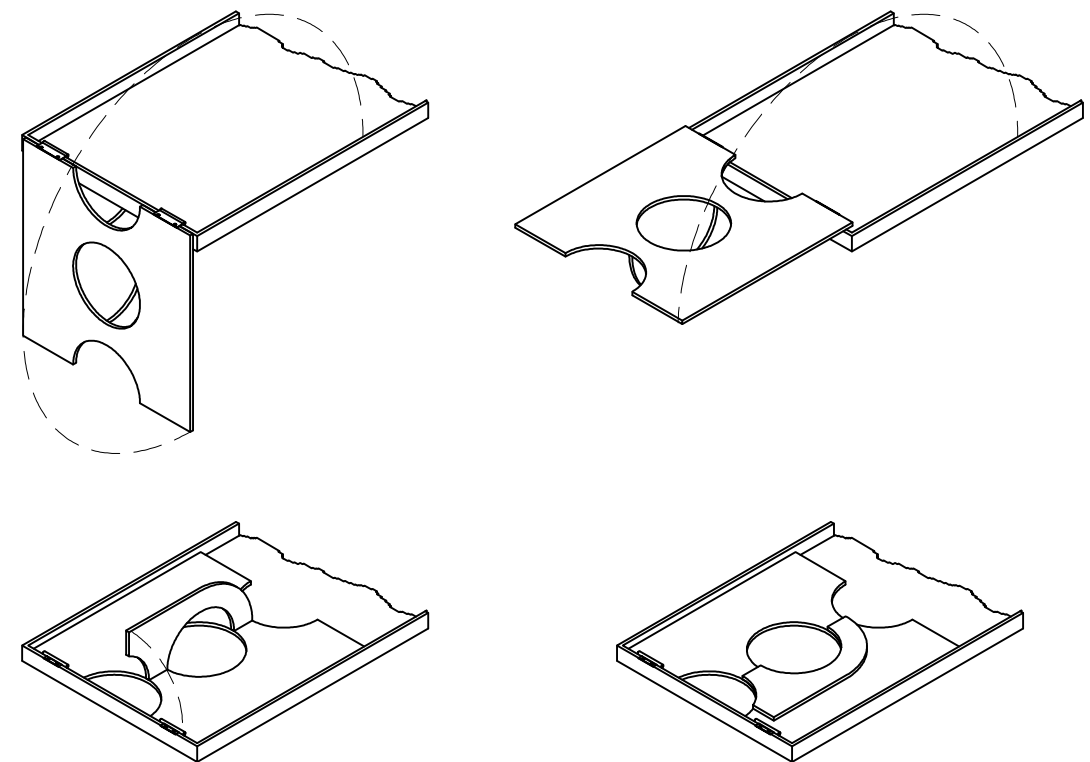
LEG IN POSITION DETAIL 2:1



LEG FOLDED AWAY DETAIL 2:1



STORAGE MODE DETAIL 2:1



LEG FOLDING PROCEDURE N.T.S.

DRAWING:			LEG HINGE DETAIL		DRAWN		T.S.	DATE		19.1.2015	
DATE	REVISION	BY			DESIGNED		T.S.	SCALE		2:1	
PROJECT:			Thingiverse: Tez_Gelmir twitter: @Tez_Gelmir		JOB No.		14013		DWG No.		03
			HACK A DAY: Tez_Gelmir instructables: Tez_Gelmir								