

6

5

4

3

2

1

D

D

C

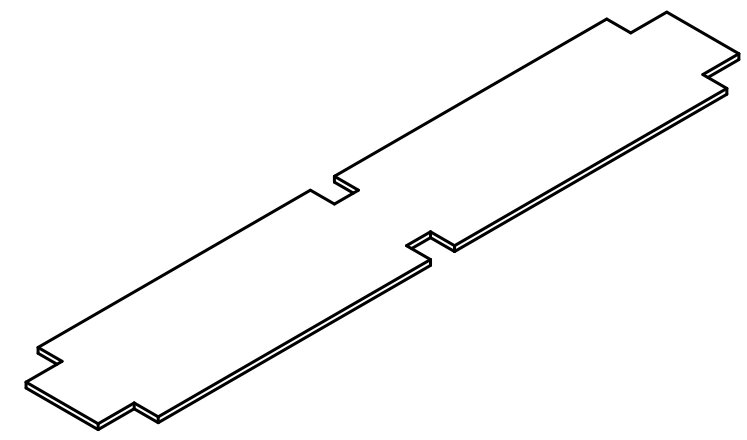
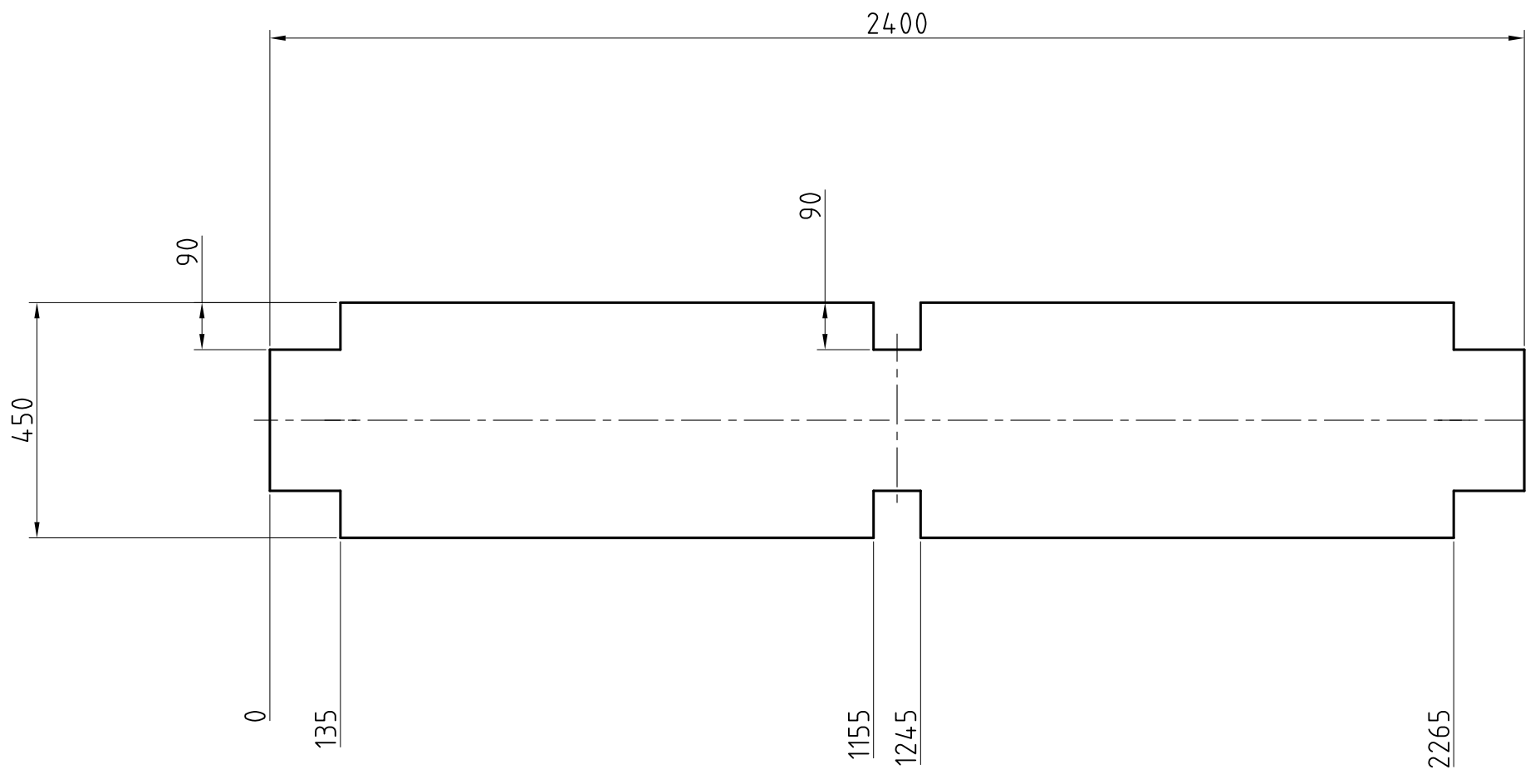
C

B

B

A

A



UNLESS OTHERWISE SPECIFIED, DIMENSIONS ARE IN MILLIMETERS		NAME	SIGNATURE	DATE	KRANK ENGINEERING	
ANGULARZ = ± ° FRACTIONAL = ±		DRAWN	Matt McLeod	2016-04-25		
SURFACE FINISH ✓		CHECKED			TITLE Build table - Shelf	
DO NOT SCALE DRAWING		APPROVED				
BREAK ALL SHARP EDGES AND REMOVE BURRS					SIZE	DWG NO.
FIRST ANGLE PROJECTION		MATERIAL	FINISH		A3	1111-05
		19mm Plywood	As supplied		SCALE	WEIGHT
					SHEET	1 of 1
					REV.	-

6

5

4

3

2

1